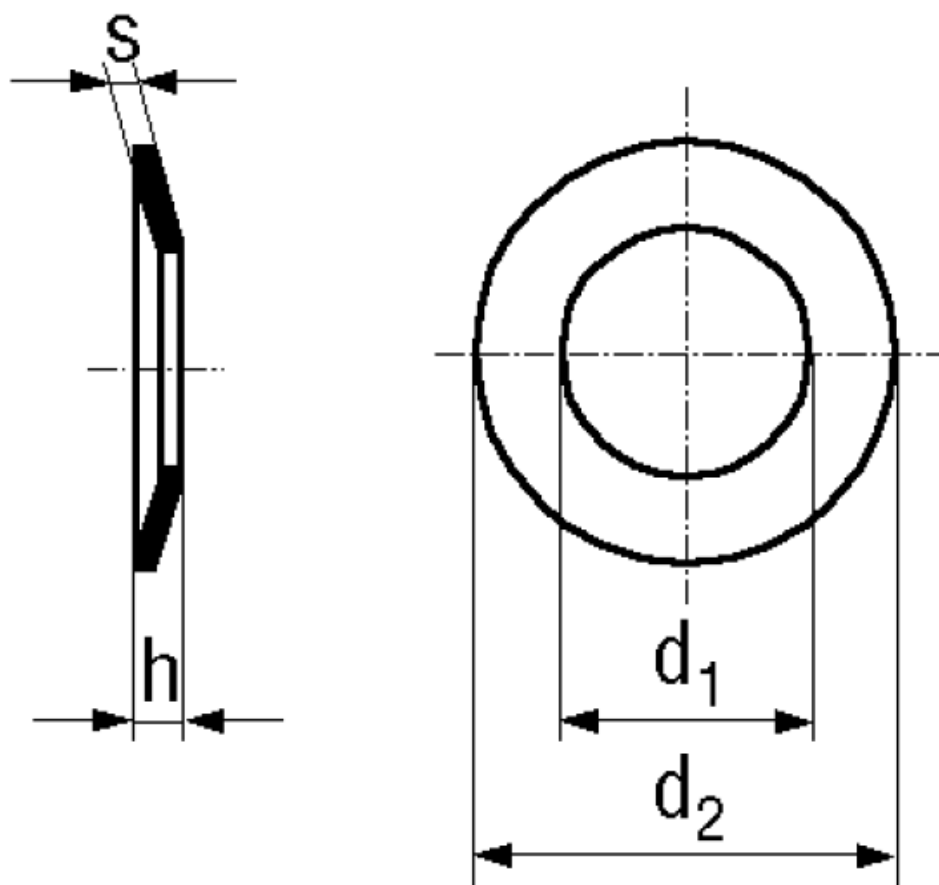


BN 2312 - DIN 6796

Conical spring washers
for fastening joints

DIN 6796
~UNI 8836



Material Quality

Article No. - 2065959

| | |
|------------|------|
| for thread | M5 |
| d_1 | 5,3 |
| d_2 | 11 |
| h min. | 1,35 |
| h max. | 1,55 |
| s | 1,2 |

h max. = : Max. dimension as supplied.