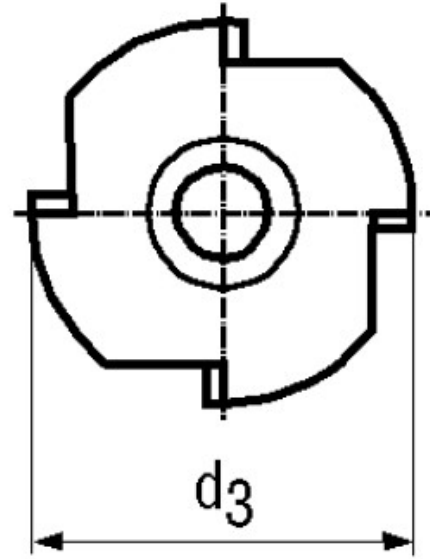
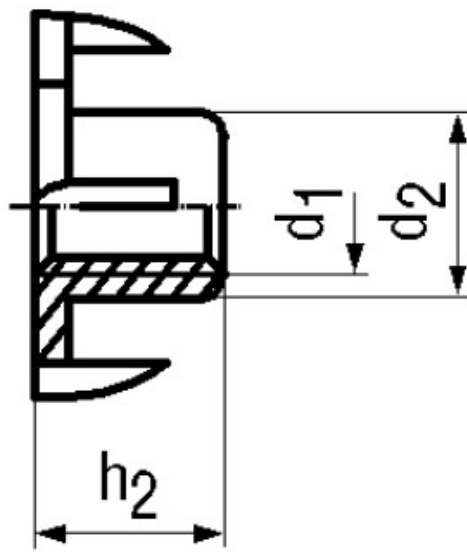


BN 226

Tee nuts



Material

Steel

Surface

zinc plated blue

Article No. - 1101242

d_1

M5

d_2

6,2

d_3

17

h_2

9