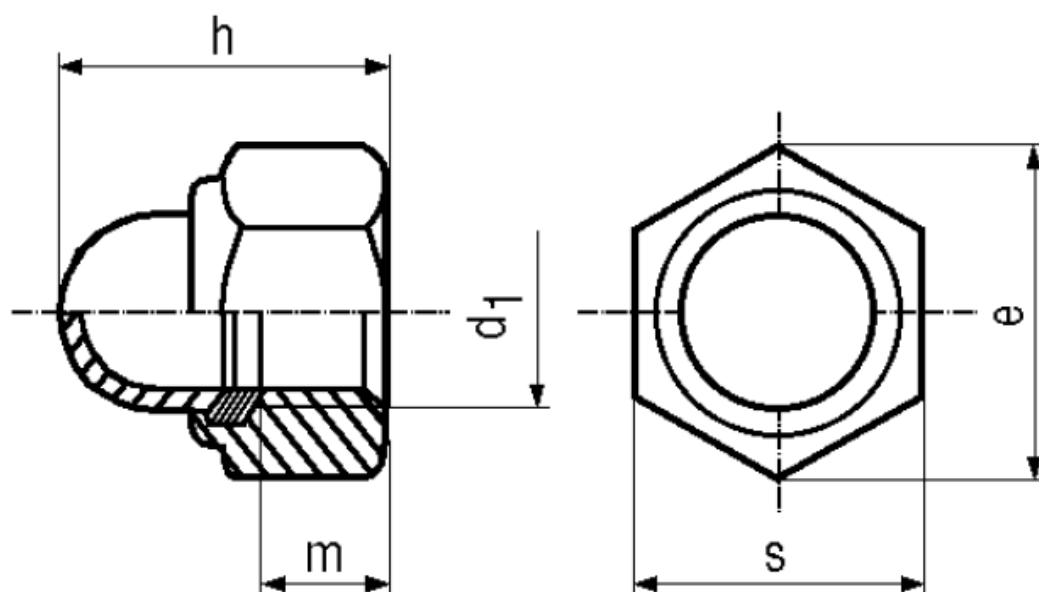


## BN 167 - DIN 986

Prevailing torque type hexagon  
domed cap nuts  
with polyamide insert

DIN 986  
~UNI 5722



Material	Steel	Quality	cl. 6
Surface	zinc plated blue		

### Article No. - 1095455

$d_1$	M5
e min.	8,79
s	8
m	4,4
h	10,5