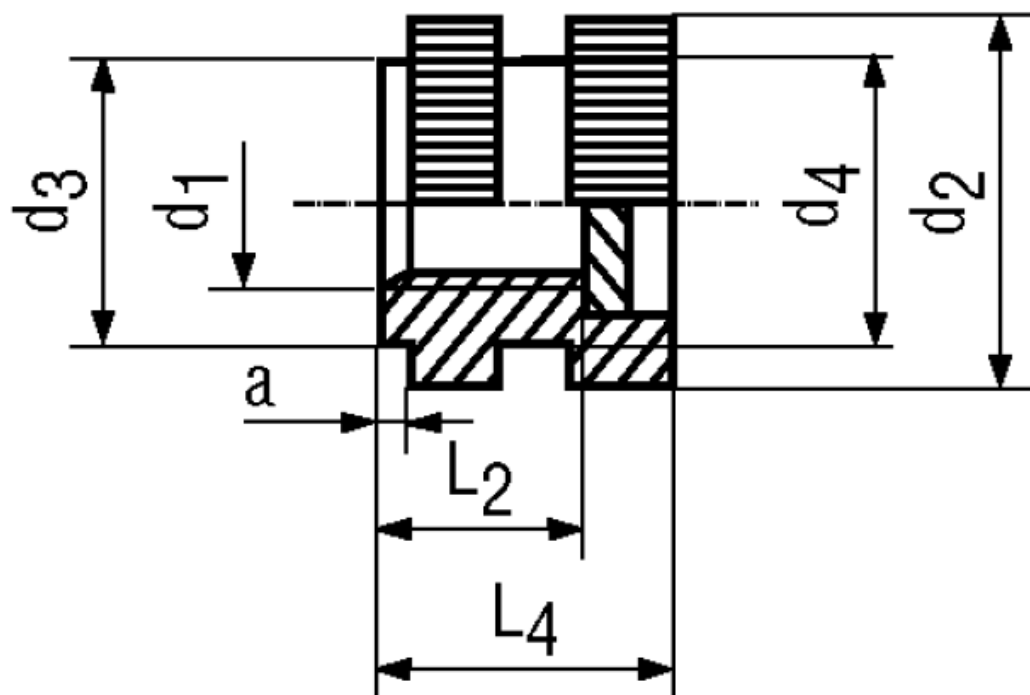


## BN 1041

Threaded inserts  
type H  
closed, long

~DIN 16903 H



Material	Brass	Surface	plain
----------	-------	---------	-------

Article No. - 1385925	
d <sub>1</sub>	M5
L <sub>2</sub>	7,5
L <sub>4</sub>	8,5
d <sub>2</sub> ~	7
d <sub>3</sub>	7
a	1
d <sub>4</sub>	6,4