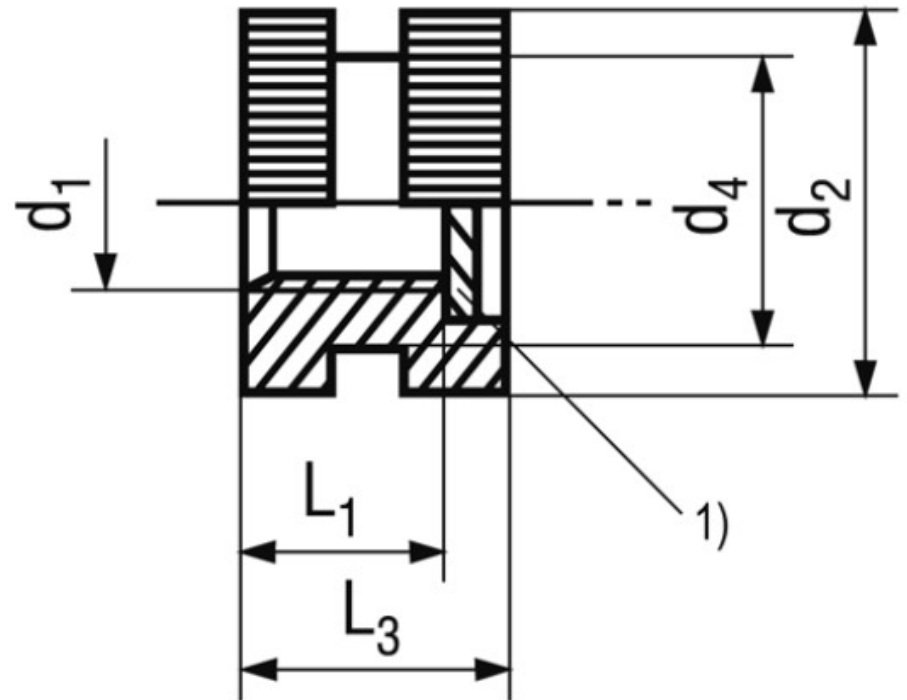


## BN 1040

Threaded inserts  
type F  
closed, short

~DIN 16903 F



Material	Brass	Surface	plain
----------	-------	---------	-------

Article No. - 1385852	
$d_1$	M5
$L_1$	5
$L_3$	6
$d_2 \sim$	7
$d_4$	6,4

1) Closed with disk as per DIN 16903 or machined from bar stock