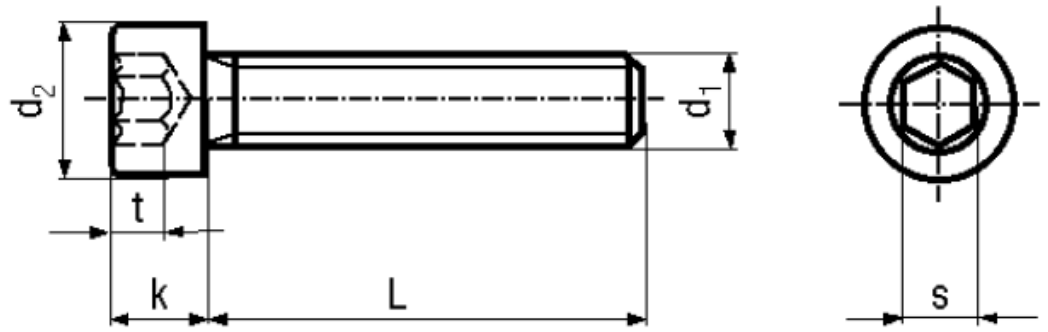


BN 612

Hexagon socket head cap screws
fully threaded
fully threaded

DIN 912
ISO 4762
~UNI 5931



Material	Stainless steel	Quality	A4
----------	------------------------	---------	-----------

Article No. - 1208160

d ₁	M5
L	8
d ₂	8,5
k	5
s	4
t min.	2,5

DIN 912: Standard withdrawn

M1,4: Not included in ISO 4672.

Socket head cap screws low head type acc. DIN 7984 / DIN 6912: BN 2844 / BN 1350.