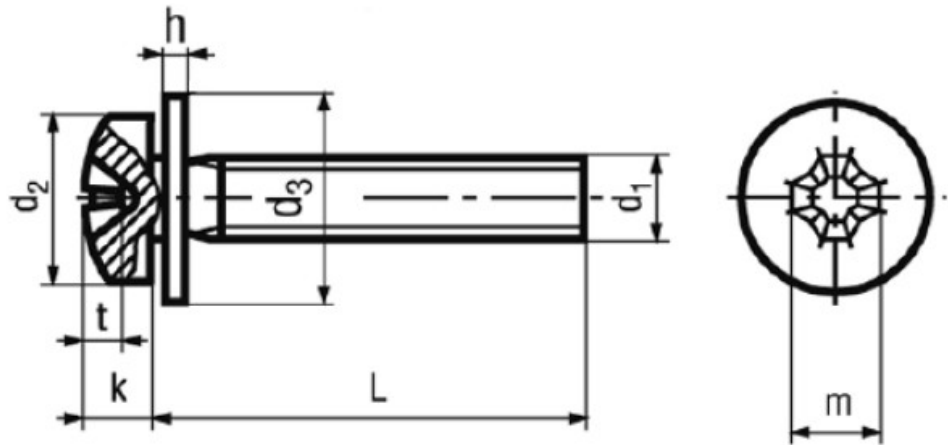


BN 1719

Cross recessed pan head assembled
screws
Phillips H, with captive flat washer
DIN 6902 A

DIN 7985 Z1



Material	Steel	Tensile strength	400 N/mm ²
Surface	zinc plated blue	Elongation after fracture	min. 14%
Quality	4.8		

Article No. - 3056184

d ₁	M5
L	8
d ₂ max.	10
k max.	3,95
Phillips	2
t min.	2,77
t max.	3,27
m~	5,3
d ₃	
h	1