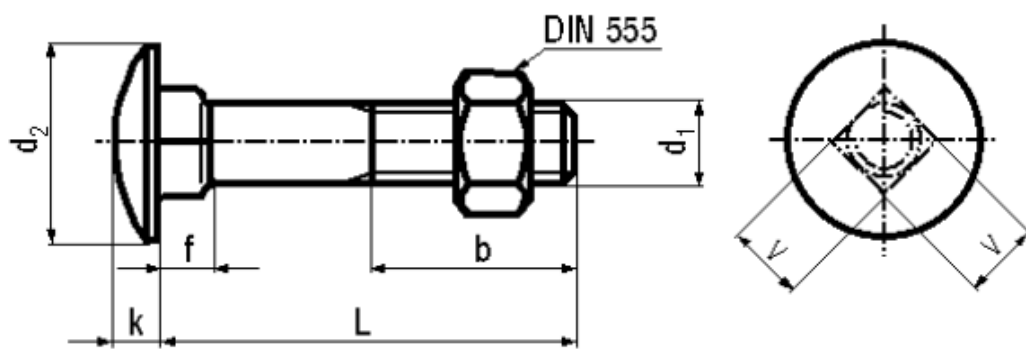


BN 248

Round head square neck bolts
with hexagon nut

DIN 603 Mu
~UNI 5732



Material	Steel	Surface	zinc plated blue
----------	-------	---------	------------------

Article No. - 1087711

d ₁	M5
L	60
b	16
d ₂ max.	13,55
k max.	3,3
f max.	4,1
v max.	5,48

At manufacturer's option, the diameter of the shaft may correspond with the pitch diameter. (Carriage bolt) with hex nut