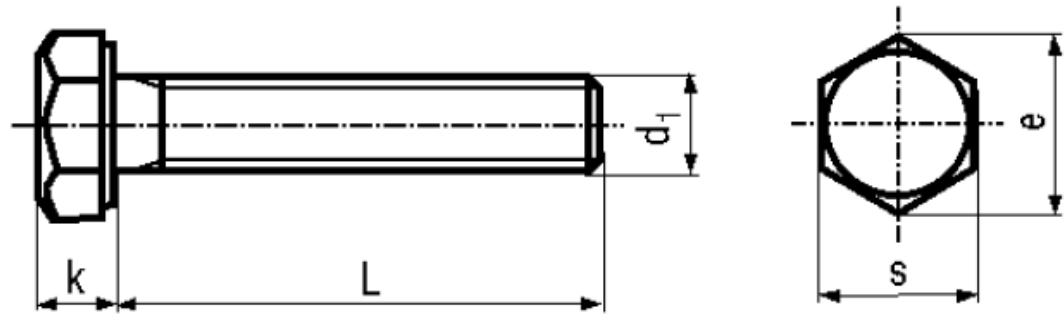


Screws with hexalobular recesses

Hexagon head screws
fully threaded

DIN 933
ISO 4017
~UNI 5739



Material **Stainless steel** Quality **A2**

Article No. - 1237926	
d ₁	M5
L	16
e	8,79
k	3,5
s	8

DIN 933: Standard withdrawn

Hex cap locking screws eco-fix®: BN 5951

WAF's according to ISO on request.

The current property class on the market is class 70 in A2-70 / A4-70 (tensile strenght 700 N/mm2).