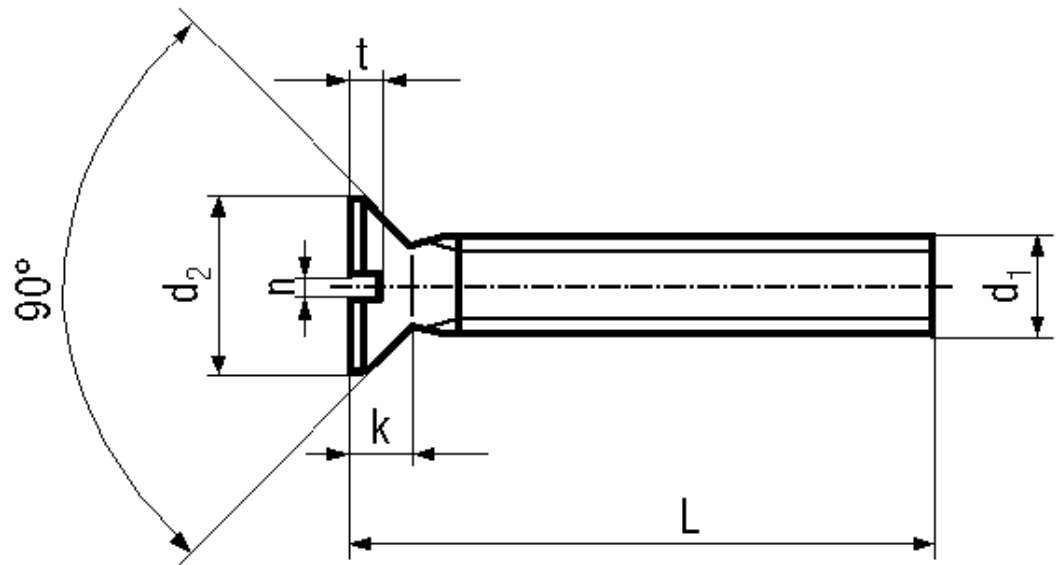


## BN 654

Slotted flat countersunk head screws

DIN 963 A  
~ISO 2009  
~UNI 6109



Material  Quality

Article No. - 1246909

$d_1$	M5
L	(14)
$d_2$	9,2
k max.	2,5
n	1,2
t min.	1

DIN 963: Standard withdrawn

All lengths fully threaded.

Slotted flat countersunk head screws with small head VSM 13328: BN 658