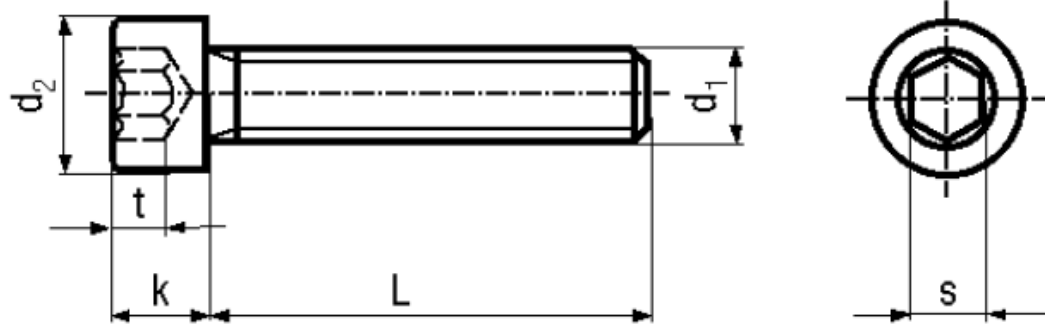


BN 7 - DIN 912 - ISO 4762

Hexagon socket head cap screws
fully threaded
fully threaded

DIN 912
ISO 4762



Material	Steel	Tensile strength	1200 N/mm2
Surface	black	Proof stress 0,2%	1080 N/mm2
Quality	12.9	Elongation after fracture	min. 8%

Article No. - 1007165

d ₁	M5
L	12
d ₂	8,5
k	5
s	4
t min.	2,5

DIN 912: Standard withdrawn

M 1.4; M18; M22; M27; M33 not included in ISO 4762.
M 2.6 not included in DIN 912 and ISO 4762.