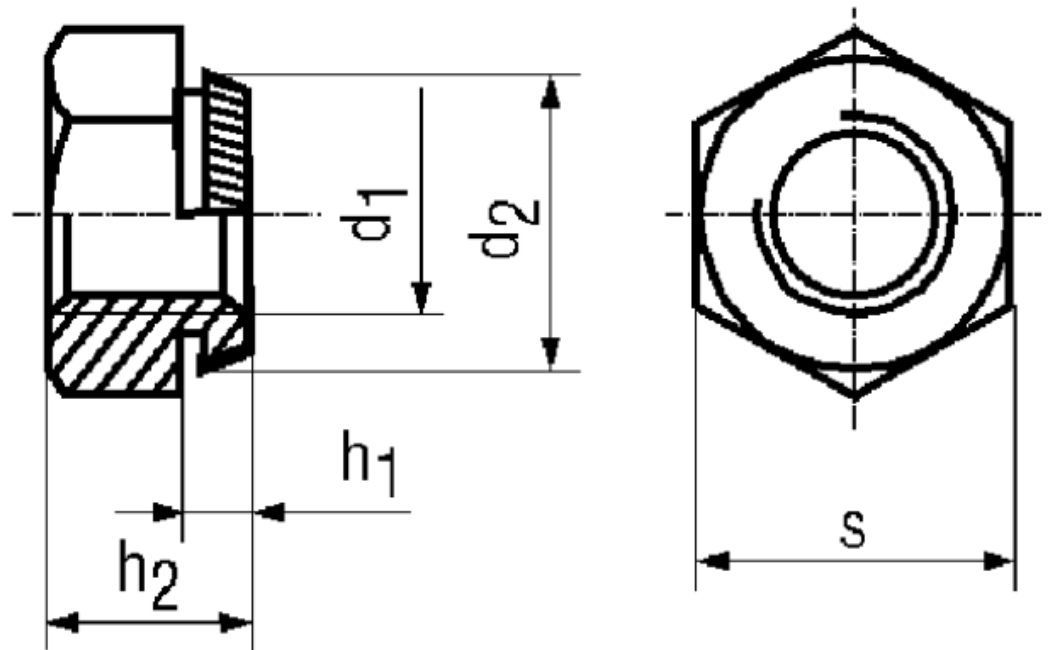


BN 201

Hexagon self clinching nuts
case hardened



Material	Steel	Hardness	550 HV
Surface	zinc plated blue		

Article No. - 1001698	
d ₁	M5
h ₁	1,8
Hole size	6,5
d ₂	6,75
Sheet thicknes min.	2
h ₂	5
s	8
Distance to edge	7

Note: Collar height (dimension h₁) available for thicker plates on request.