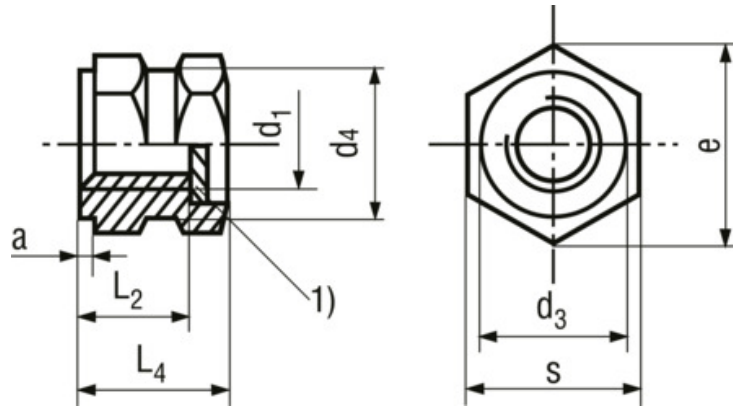


Threaded inserts for insertion form G hexagonal with shoulder, with threaded blind hole, for thermoplastics and thermosets

BN 1039



Standard ~DIN 16903 G (Standard withdrawn),

Material Brass

Surface plain

1) Closed with disk as per DIN 16903 or machined from bar stock

Article no.	Thread size (d1)	L2	L4	d3	e~	s	a	d4
1385720	M4	6	7	5,5	6,9	6	1	5
1385739	M5	7,5	8,5	7	8,1	7	1	6,4
1385747	M6	9	10	8	10,4	9	1	7,4
1385755	M8	12	13,5	10	12,7	11	1	10,4