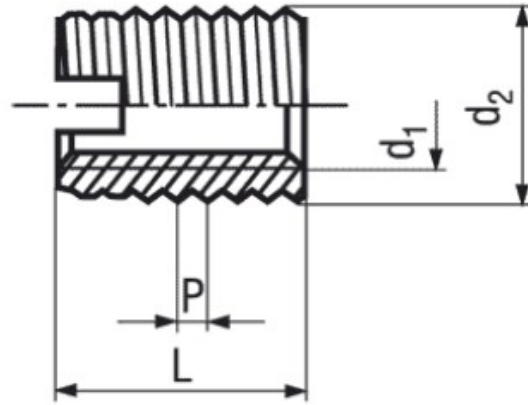


BN 902

Self cutting threaded inserts



Trade mark	Ensats®	Material	Steel case-hardened
Type	302	Surface	zinc plated yellow

Article No. - 1088394

d_1	M4
P	0,75
d_2	6,5
L	8

Setting tools: BN 1181 / BN 1182