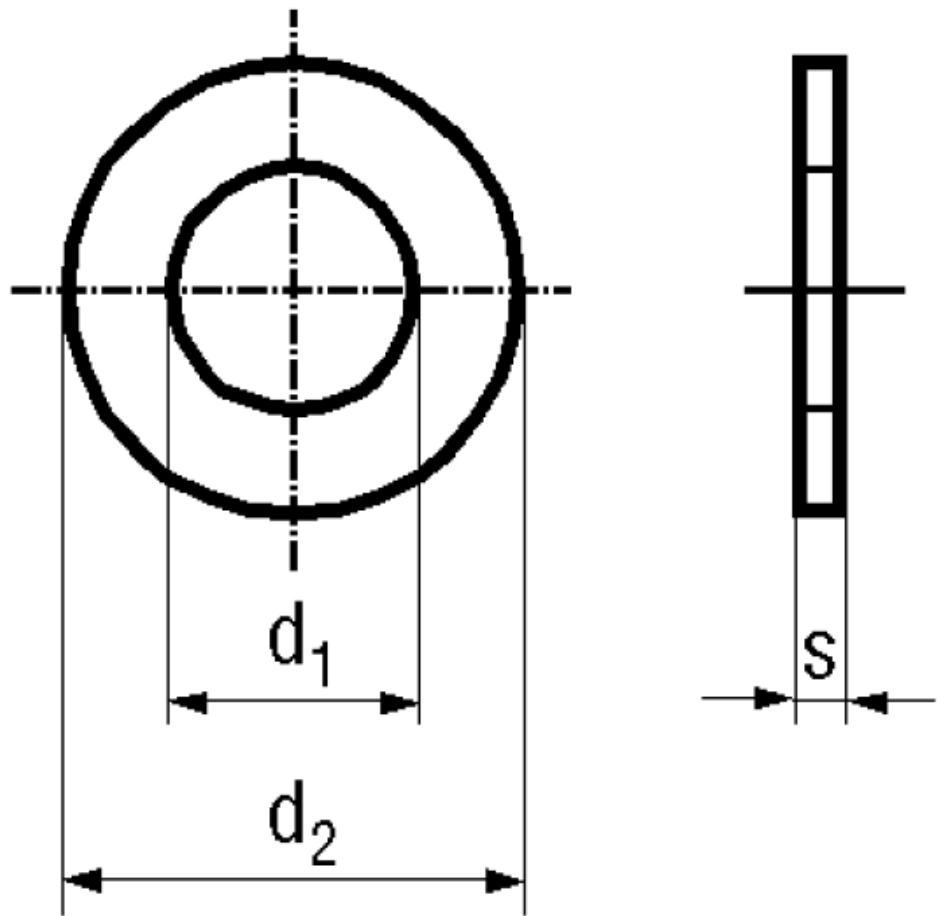


## BN 561 - DIN 125 A-1 - ~ISO 7089

Flat washers  
without chamfer

DIN 125 A-1  
~ISO 7089  
~UNI 6592



Material  Surface

Article No. - 1215930

fit for	M4
$d_1$	4,3
$d_2$	9
$s$	0,8

DIN 125: Standard withdrawn

M4,5: Not included in DIN 125, ISO 7089 and VSM 13904.

M2,2: Not included in DIN 125 and ISO 7089.

M1,7; M2,6; M7: Not included in ISO 7089.