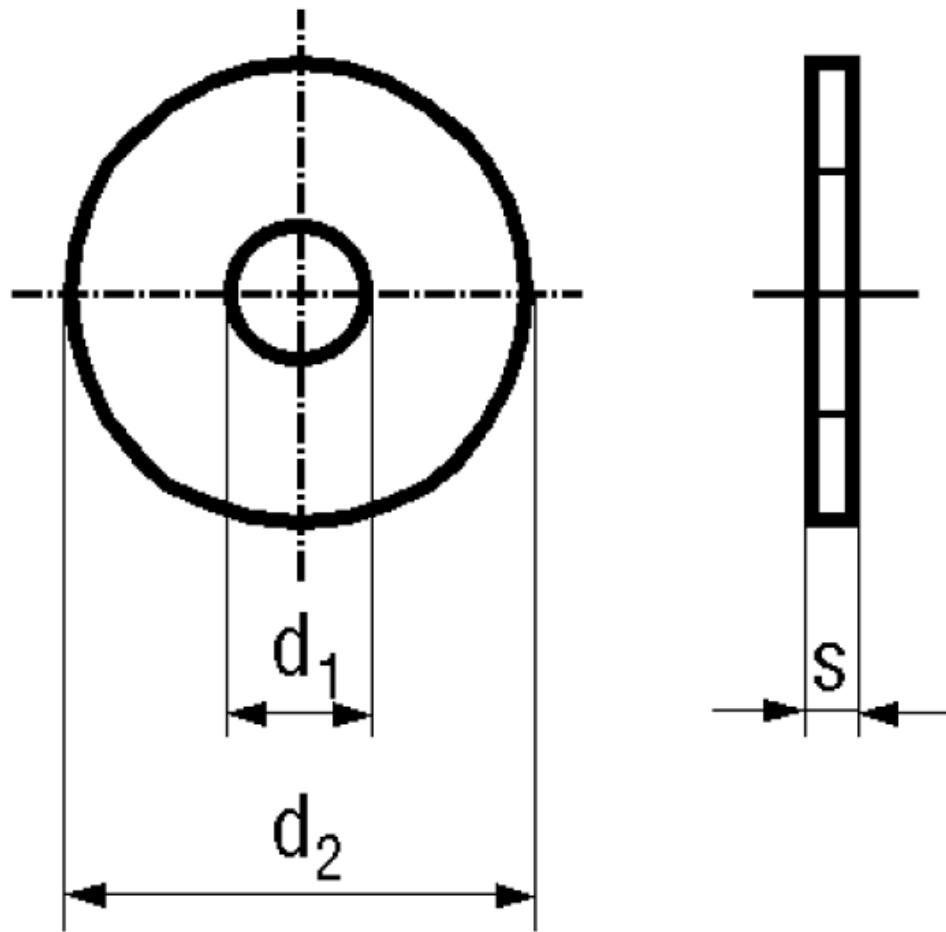


## BN 1684 - DIN 9021 - ~ISO 7093

Flat washers  
without chamfer

DIN 9021  
~ISO 7093  
~UNI 6593



Material	Stainless steel	Hardness	140HV
Quality	A4		

### Article No. - 1397001

fit for	M4
$d_1$	4,3
$d_2$	12
$s$	1