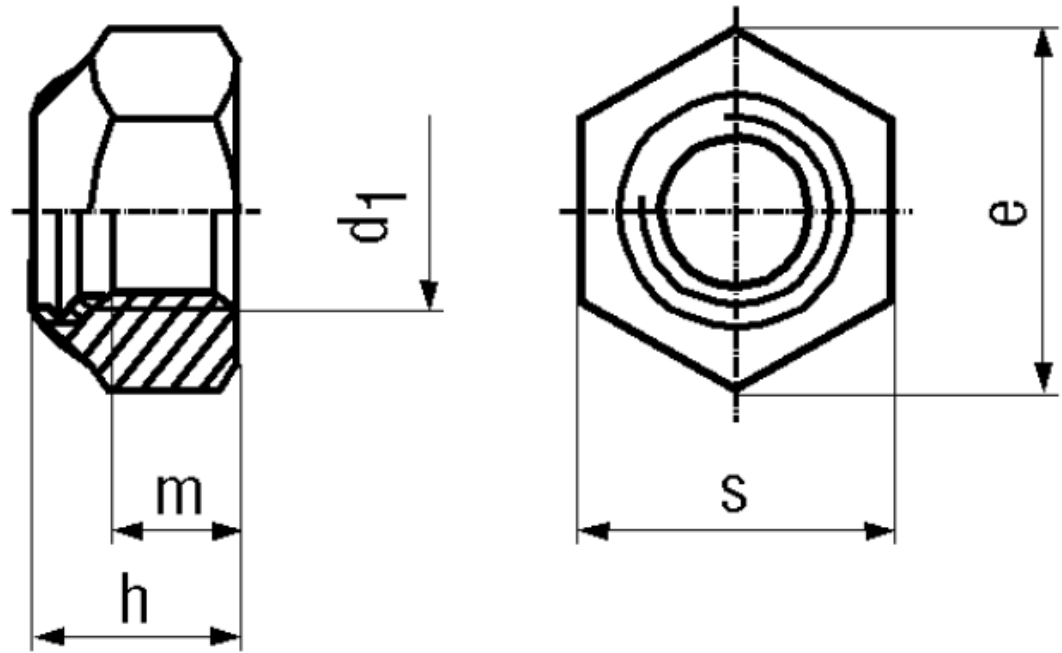


BN 161 - DIN 985 - ~ISO 10511

Prevailing torque type hexagon lock nuts
low type, with polyamide insert

DIN 985
~ISO 10511
~UNI 7474



Material	Steel	Quality	Cl. 6
Surface	zinc plated blue		

Article No. - 1094920

d_1	M4
e min.	7,66
h max.	5
m	2,9
s	7

DIN 985: Standard withdrawn
Property class: At manufacturer's option.