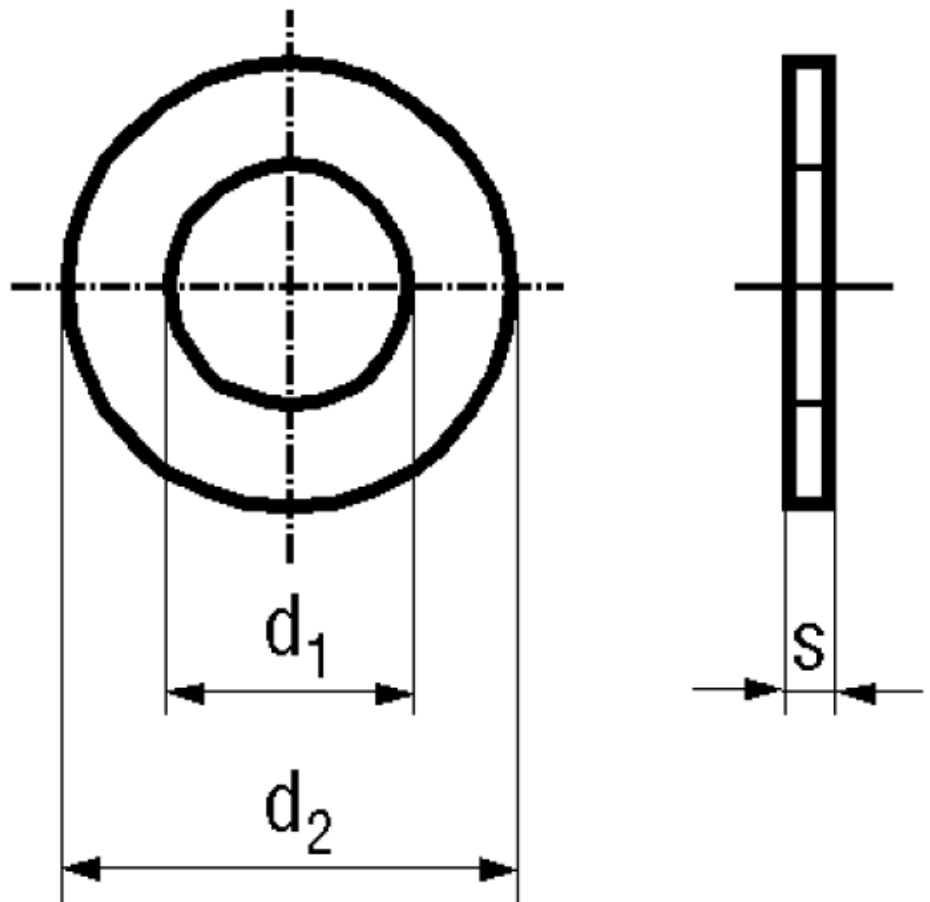


## BN 1414 - DIN 433 - ~ISO 7092

Flat washers  
without chamfer, for screws with  
cylindrical head

DIN 433  
~ISO 7092



Material	Stainless steel	Hardness	140 HV
Quality	A2	Hardness grade	140 HV

Article No. - 1170228	
fit for	M4
$d_1$	4,3
$d_2$	8
$s$	0,5

DIN 433: Standard withdrawn