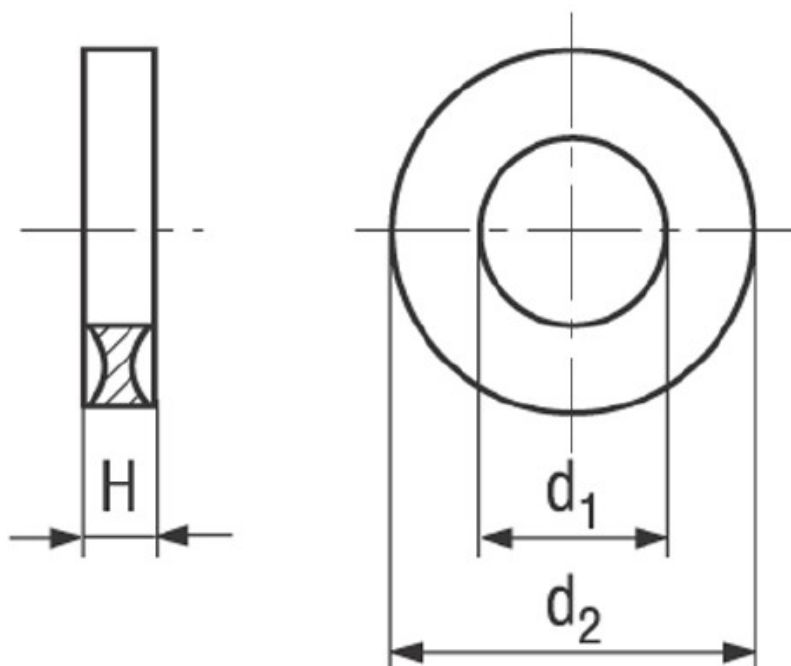


BN 1078

Locking and sealing rings



Trade mark	Dubo®	Color	white
Material	Polyamide 6	Quality	PA 6

Article No. - 1405349	
for thread	M4
Ww	5/32"
d ₁	4,15
d ₂	9,5
H	2,6

Important: For screws 8.8 and larger use toothed lock washers BN 1080.
 Operating temperature range: -60 °C to +80 °C.