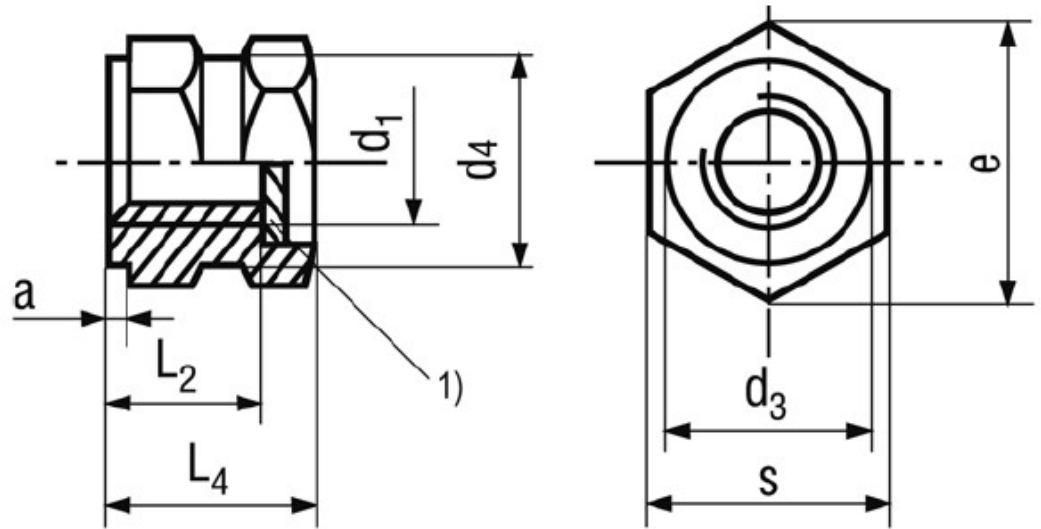


BN 1039

Threaded inserts
type G
closed, long

~DIN 16903 G



Material Surface

Article No. - 1385720

d_1	M4
L_2	6
L_4	7
d_3	5,5
e	6,9
s	6
a	1
d_4	5

1) Closed with disk as per DIN 16903 or machined from bar stock