

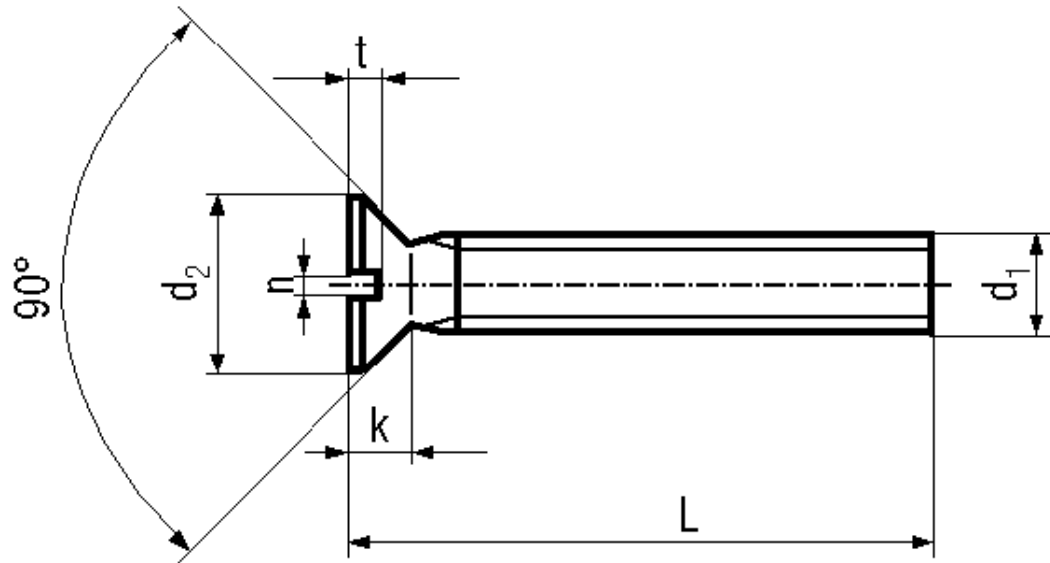
## BN 654

Slotted flat countersunk head screws

DIN 963 A

~ISO 2009

~UNI 6109



Material  Quality

### Article No. - 1246844

d <sub>1</sub>	M4
L	(14)
d <sub>2</sub>	7,5
k max.	2,2
n	1
t min.	0,8

DIN 963: Standard withdrawn

All lengths fully threaded.

Slotted flat countersunk head screws with small head VSM 13328: BN 658