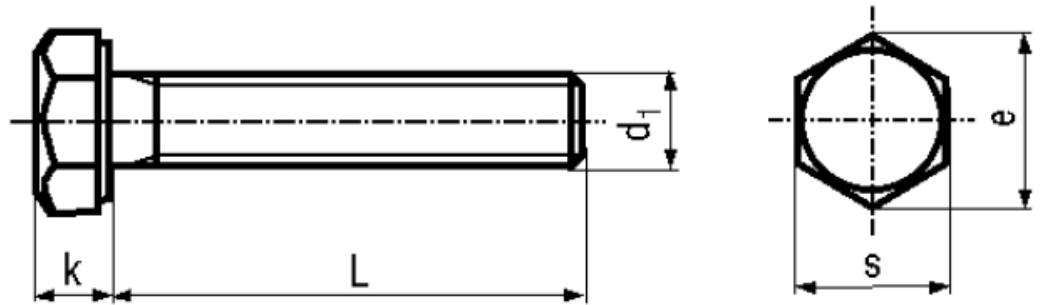


BN 58

Hexagon head screws
fully threaded

DIN 933
ISO 4017
~UNI 5739



Material	Steel	Tensile strength	800 N/mm²
Surface	zinc plated yellow	Proof stress 0,2%	640 N/mm²
Quality	8.8	Elongation after fracture	min. 12%

Article No. - 1052403

d ₁	M4
L	10
e	7,66
k	2,8
s	7

DIN 933: Standard withdrawn
M10, M12: New WAFs according to ISO 272