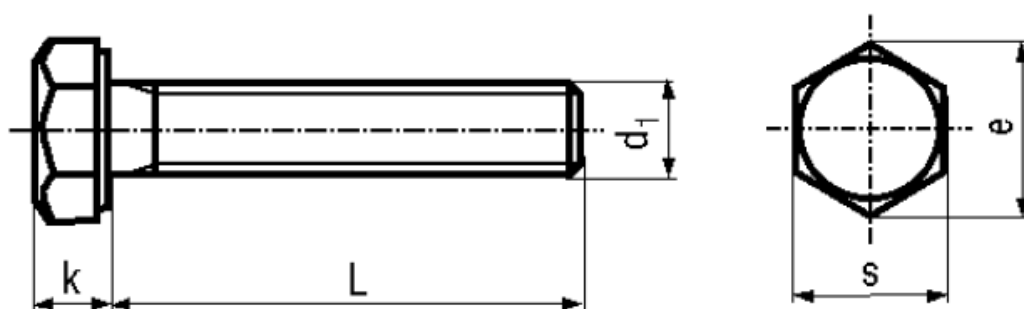


## BN 56

Hexagon head screws  
fully threaded

DIN 933  
ISO 4017  
~UNI 5739



|          |                         |                           |                             |
|----------|-------------------------|---------------------------|-----------------------------|
| Material | <b>Steel</b>            | Tensile strength          | <b>800 N/mm<sup>2</sup></b> |
| Surface  | <b>zinc plated blue</b> | Proof stress 0,2%         | <b>640 N/mm<sup>2</sup></b> |
| Quality  | <b>8.8</b>              | Elongation after fracture | <b>min. 12%</b>             |

### Article No. - 1048961

|       |      |
|-------|------|
| $d_1$ | M4   |
| L     | 10   |
| e     | 7,66 |
| k     | 2,8  |
| s     | 7    |

DIN 933: Standard withdrawn  
M10, M12, M14, M22; Wrench size according to ISO 272.