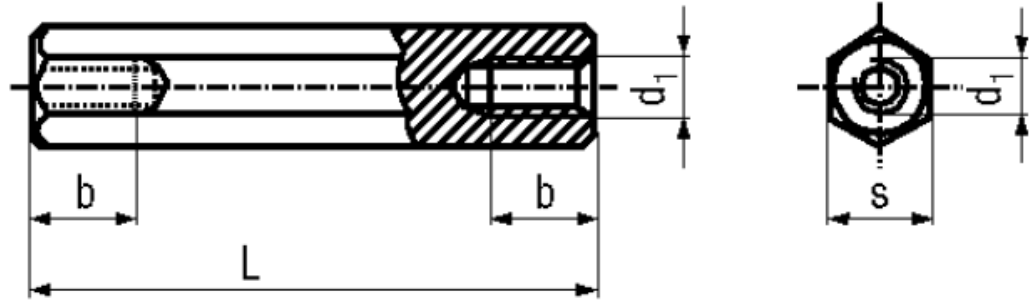


BN 3319

Hexagon stand-offs
with internal thread on both sides



Material Surface

Article No. - 1543512

d ₁	M4
L	10
b	10
s h11	7