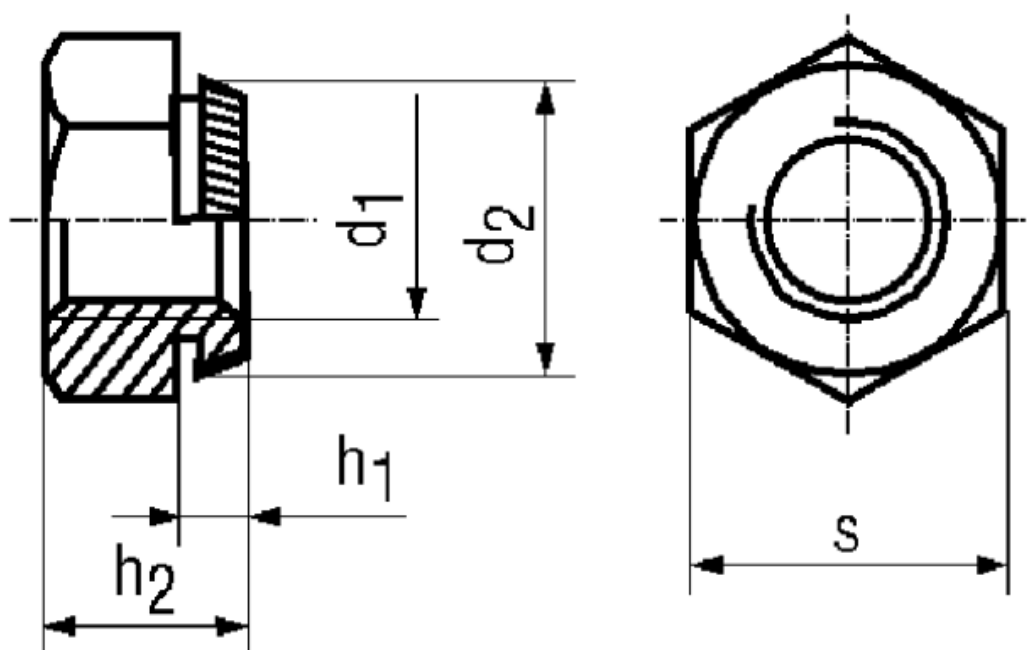


## BN 201

Hexagon self clinching nuts  
case hardened



Material	Steel	Hardness	550 HV
Surface	zinc plated blue		

### Article No. - 1001345

d <sub>1</sub>	M4
h <sub>1</sub>	1,8
Hole size	5,5
d <sub>2</sub>	5,7
Sheet thicknes min.	2
h <sub>2</sub>	4,5
s	7
Distance to edge	6,7

Note: Collar height (dimension h<sub>1</sub>) available for thicker plates on request.