

B40D-B500D

Silicon Bridge Rectifiers

VOLTAGE RANGE: 80 --- 1000 V

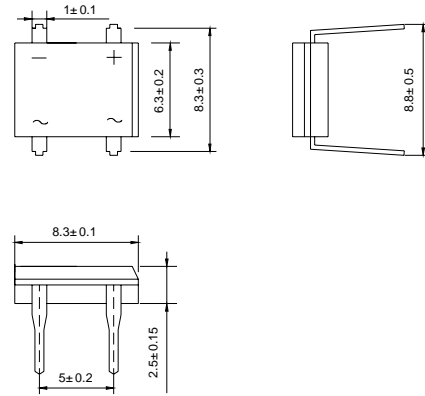
CURRENT: 1.0 A



DB - 1

Features

- ◇ Rating to 1000V PRV
- ◇ Surge overload rating to 40 Amperes peak
- ◇ Ideal for printed circuit board
- ◇ Reliable low cost construction utilizing molded plastic technique results in inexpensive product
- ◇ Solderable per MIL-STD-202 method 208
- ◇ Glass passivated chip junctions
- ◇ Plastic material has UL flammability classification 94V-O
- ◇ Polarity symbols molded on body
- ◇ Weight: 0.016 ounces, 0.45 grams



Dimensions in millimeters

MAXIMUM RATINGS AND ELECTRICAL CHARACTERISTICS

Ratings at 25°C ambient temperature unless otherwise specified.

Single phase, half wave, 60 Hz, resistive or inductive load. For capacitive load, derate by 20%.

		B40D	B80D	B125D	B250D	B380D	B500D	UNITS
Maximum recurrent peak reverse voltage	V_{RRM}	80	160	250	600	800	1000	V
Maximum RMS voltage	V_{RMS}	56	112	175	420	560	700	V
Maximum DC blocking voltage	V_{DC}	80	160	250	600	800	1000	V
Maximum average forward Output current @ $T_A=25^\circ C$	$I_{F(AV)}$	1.0						A
Peak forward surge current 10ms single half-sine-wave superimposed on rated load	I_{FSM}	40						A
Maximum instantaneous forward voltage at 1.0 A	V_F	1.1						V
Maximum reverse current @ $T_J=25^\circ C$ at rated DC blocking voltage @ $T_J=125^\circ C$	I_R	10.0 0.5						μA mA
Operating junction temperature range	T_J	- 55 ---- + 150						°C
Storage temperature range	T_{STG}	- 55 ---- + 150						°C

Ratings AND Characteristic Curves

FIG.1 – PEAK FORWARD SURGE CURRENT

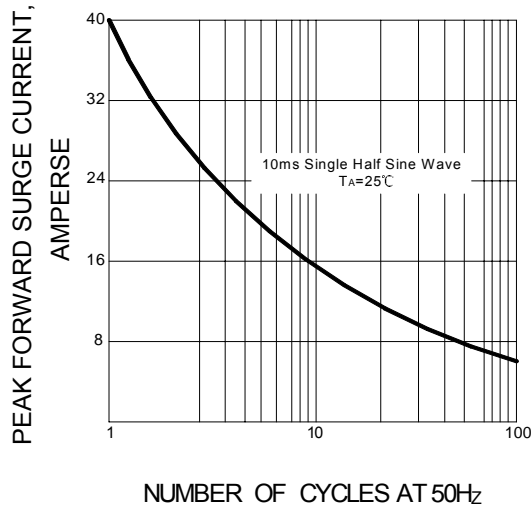


FIG.2 – FORWARD DERATING CURVE

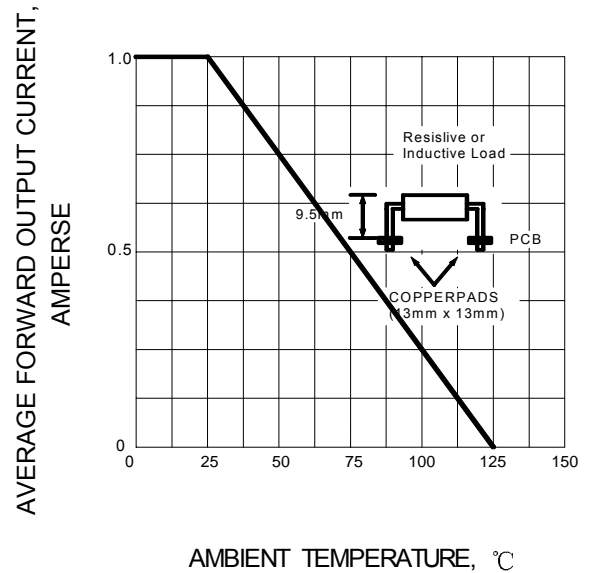


FIG.3 – TYPICAL FORWARD CHARACTERISTIC

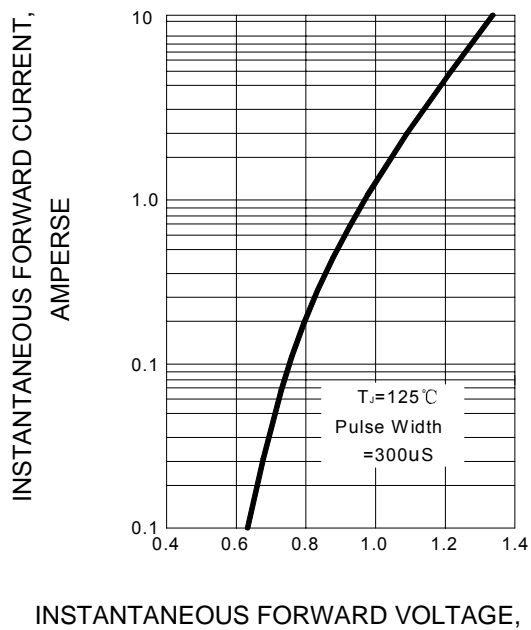


FIG.4 – TYPICAL REVERSE CHARACTERISTIC

