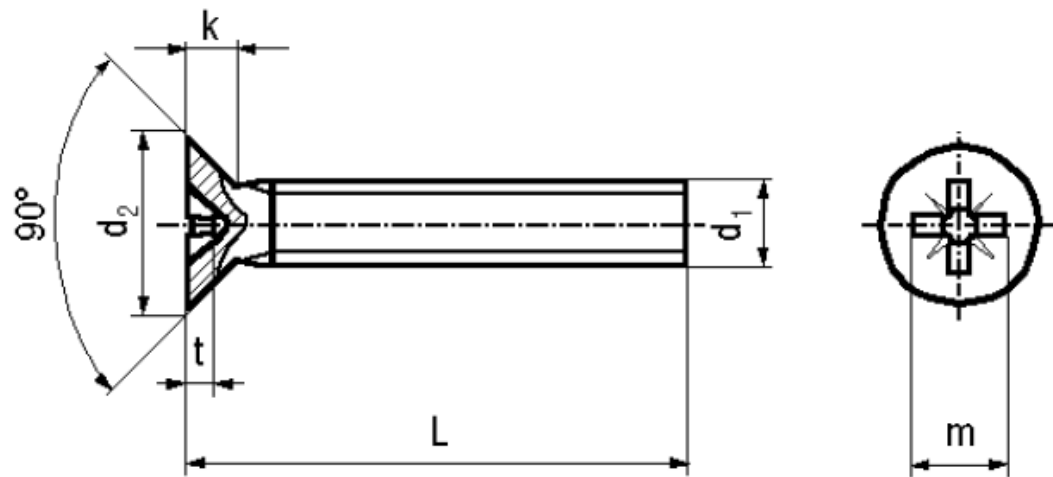


## BN 3333

Cross recessed flat countersunk  
head screws  
Pozidriv Z

DIN 965 A  
~ISO 7046  
~UNI 7688



Material	Steel	Quality	4.8
Surface	zinc plated blue	Tensile strength	400 N/mm <sup>2</sup>

### Article No. - 1537008

d <sub>1</sub>	M3
L	25
d <sub>2</sub> max.	5,6
k max.	1,65
Pozidriv	1
m~	2,8
t min.	1,48
t max.	1,73

DIN 965 A: Standard withdrawn  
DIN 965 A Phillips cross recess (Type H) see BN 388, BN 8167.  
All lengths fully threaded.