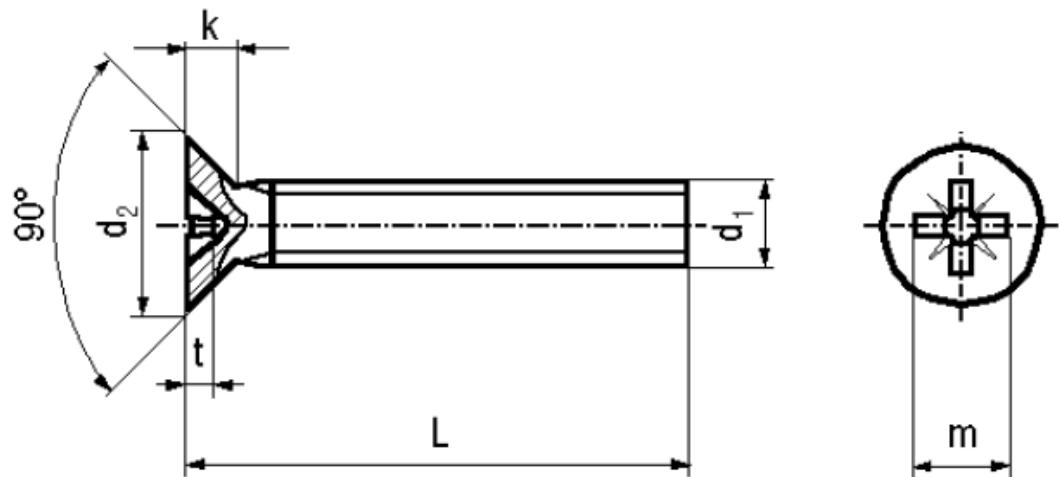


BN 3333

Cross recessed flat countersunk
head screws
Pozidriv Z

DIN 965 A
~ISO 7046
~UNI 7688



Material	Steel	Quality	4.8
Surface	zinc plated blue	Tensile strength	400 N/mm²

Article No. - 1536974

d ₁	M3
L	12
d ₂ max.	5,6
k max.	1,65
Pozidriv	1
m~	2,8
t min.	1,48
t max.	1,73

DIN 965 A: Standard withdrawn
DIN 965 A Phillips cross recess (Type H) see BN 388, BN 8167.
All lengths fully threaded.