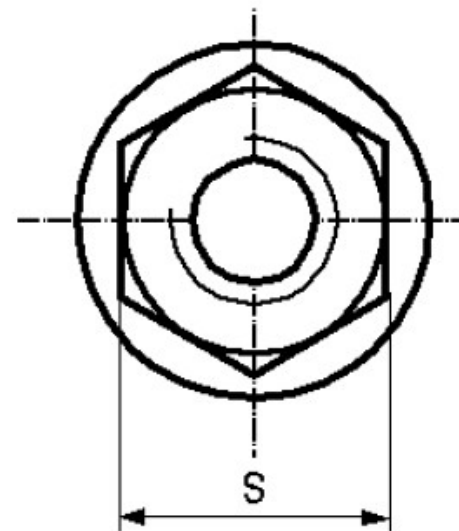
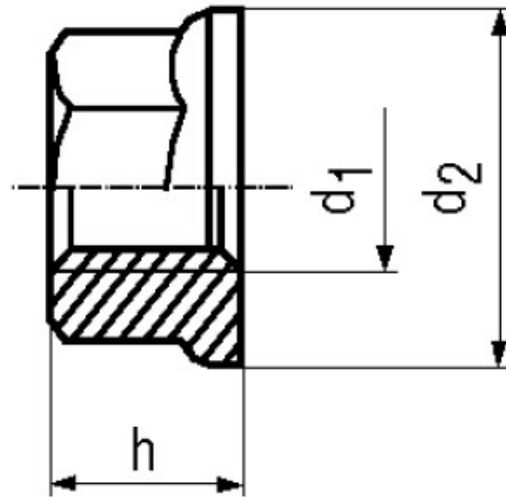


BN 860

Hexagon flange nuts



Material	Steel	Quality	cl. 5
Surface	zinc plated blue		

Article No. - 1193813

d_1	M3
d_2 max.	8
s	5,5
h max.	3,7