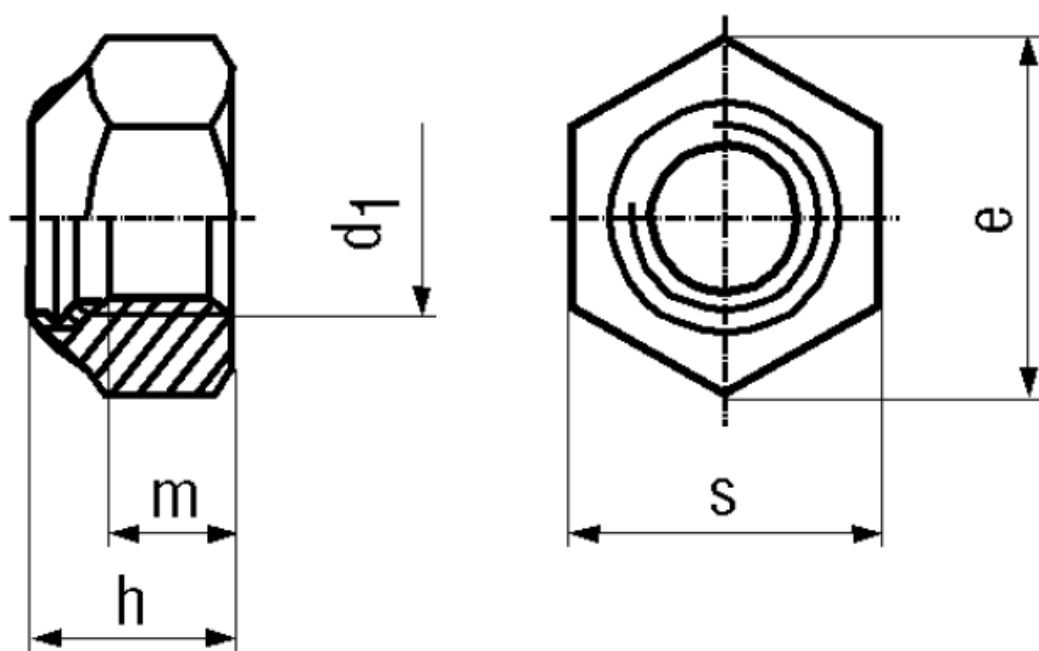


BN 637 - DIN 985

Prevailing torque type hexagon lock nuts
low type, with polyamide insert

DIN 985
~UNI 7474



Material	Stainless steel	Quality	A2
----------	------------------------	---------	-----------

Article No. - 1242377

d_1	M3
e min.	6,01
h max.	4
m	2,4
s	5,5

DIN 985: Standard withdrawn

M2,5: Not included in DIN 985.

Wrench size according to ISO on request.