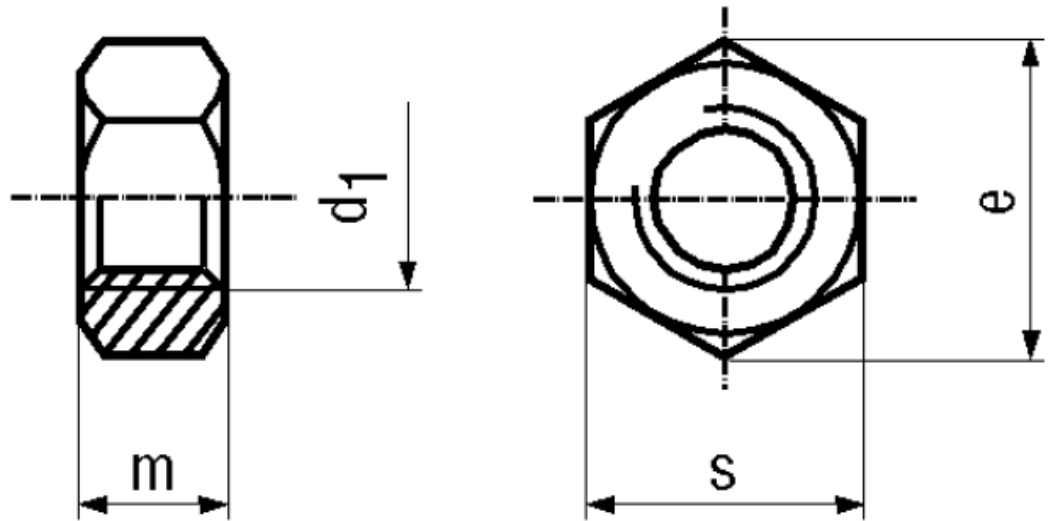


## BN 504 - DIN 934 - ~ISO 4032

Hexagon nuts ~0,8d

DIN 934  
~ISO 4032  
~UNI 5588



Material	Brass	Surface	plain
----------	-------	---------	-------

### Article No. - 1195115

$d_1$	M3
e min.	6,01
s	5,5
m max.	2,4

DIN 934: Standard withdrawn

Wrench size according to ISO on request.