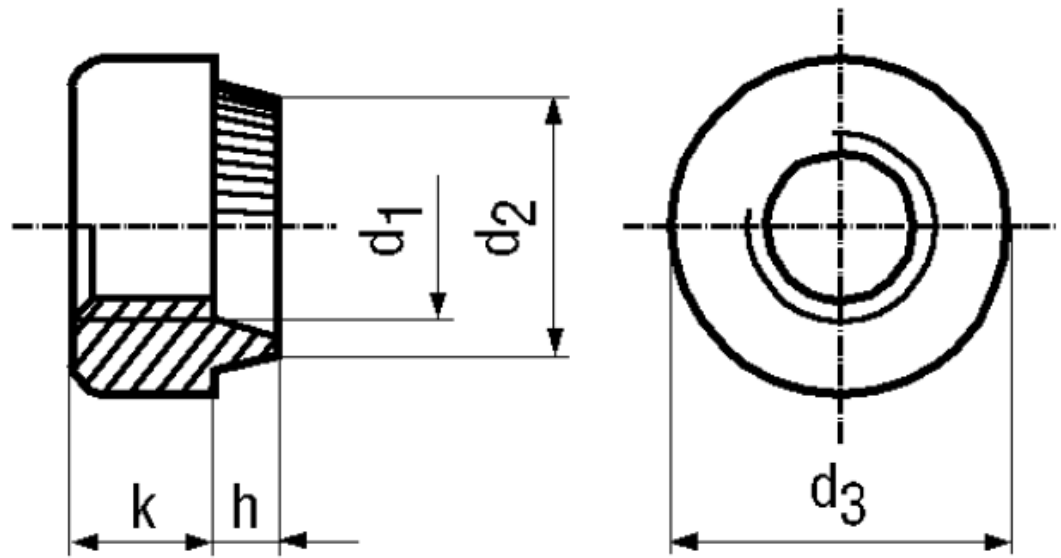


BN 196

Round rivet nuts



Type	ARB	Surface	zinc plated blue
Material	Steel		

Article No. - 1097628

d_1	M3
Sheet thickness	1,7-2,4
d_2	5,8
d_3	7,9
k	3,2
h~	2,3
Hole size	5,9