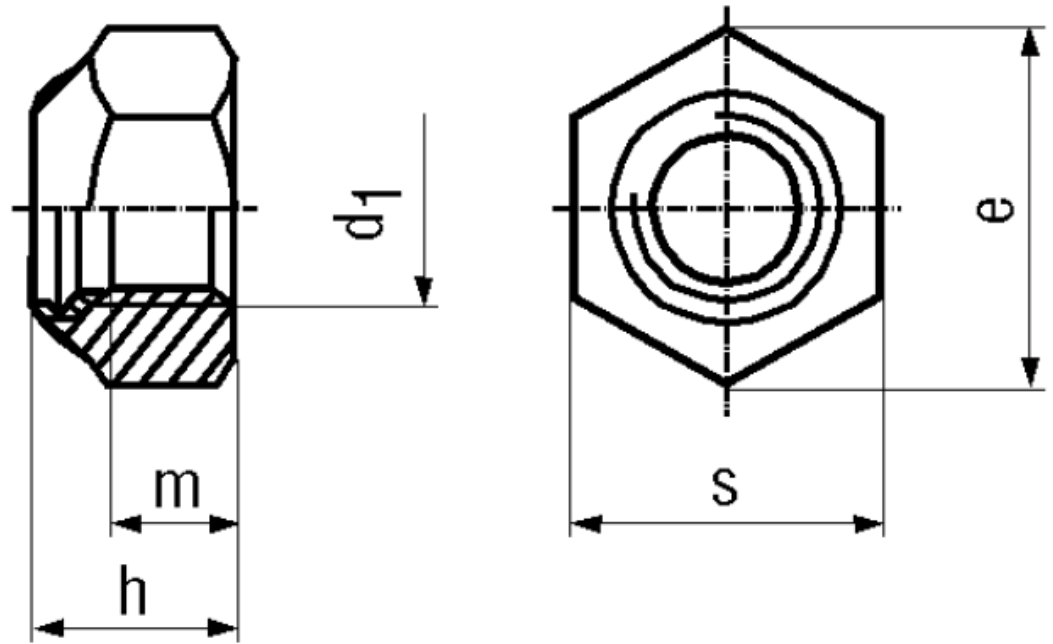


## BN 1722 - DIN 985

Prevailing torque type hexagon lock nuts  
low type, with polyamide insert

DIN 985  
~UNI 7474



Material	Stainless steel	Quality	A4
----------	-----------------	---------	----

### Article No. - 1397176

$d_1$	M3
e min.	6,01
h max.	4
m	2,4
s	5,5

DIN 985: Standard withdrawn

Wrench size according to ISO on request.