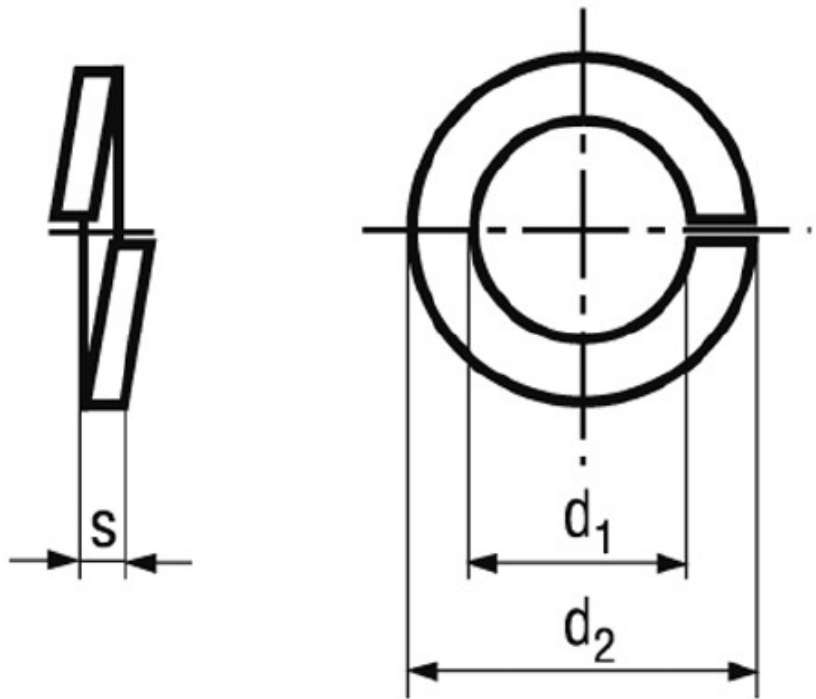


## BN 1352 - DIN 7980

Helical spring lock washers  
for screws with cylindrical head

DIN 7980



Material	Stainless steel	Quality	A4
----------	-----------------	---------	----

Article No. - 1116789	
for thread	M3
d <sub>1</sub> min.	3,1
d <sub>1</sub> max.	3,4
d <sub>2</sub> max.	5,6
s	1

DIN 7980: Standard withdrawn