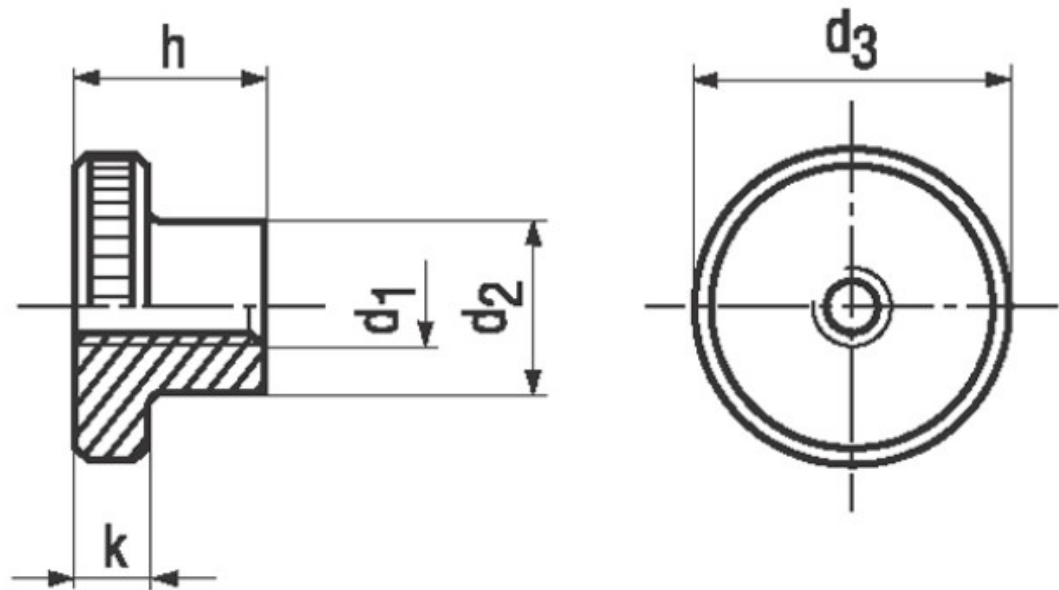


## BN 10904 - DIN 466

Knurled nuts high type

DIN 466  
~UNI 6005



Material	Stainless steel	Quality	A1
----------	-----------------	---------	----

### Article No. - 1575066

$d_1$	M3
$d_2$	6
$d_3$	12
$h$	7,5
$k$	2,5