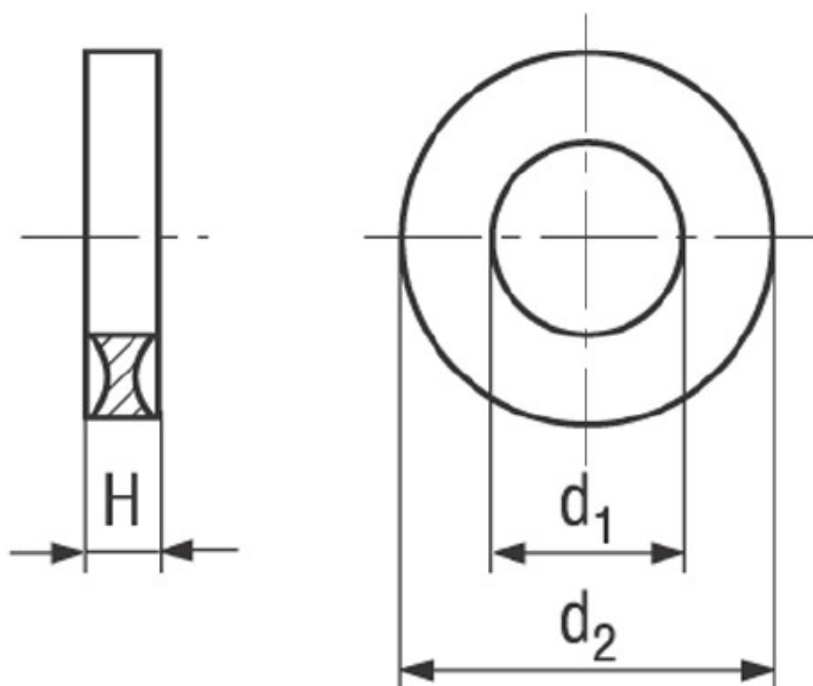


BN 1078

Locking and sealing rings



| | | | |
|------------|-------------|---------|-------|
| Trade mark | Dubo® | Color | white |
| Material | Polyamide 6 | Quality | PA 6 |

Article No. - 1405322

| | |
|----------------|------|
| for thread | M3 |
| Ww | 1/8" |
| d ₁ | 3,2 |
| d ₂ | 8 |
| H | 2,2 |

Important: For screws 8.8 and larger use toothed lock washers BN 1080.

Operating temperature range: -60 °C to +80 °C.