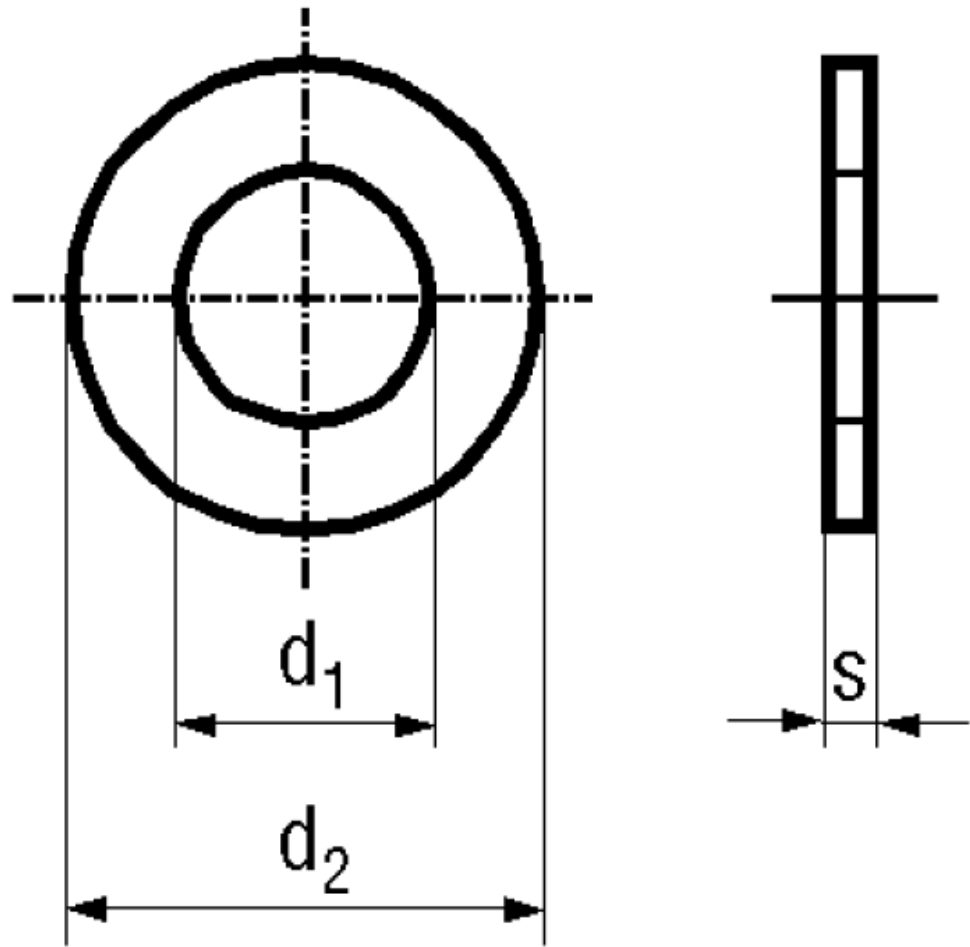


## BN 1076 - ~DIN 125 A - ~ISO 7089

Flat washers  
without chamfer

~DIN 125 A  
~ISO 7089  
~UNI 6592



Material  Color

Article No. - 1405063	
for thread	M3
$d_1$	3,2
$d_2$	7
$s$	0,5

DIN 125: Standard withdrawn  
M1,7; M2,3; M2,6; M3,5; M7: Not included in ISO 7089.