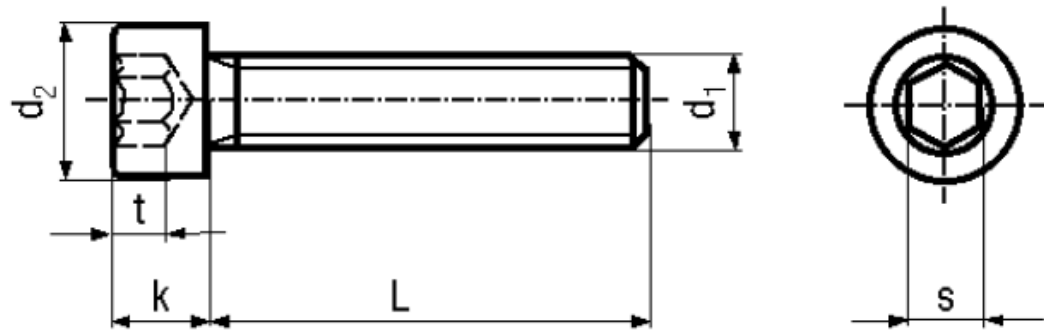


BN 7 - DIN 912 - ISO 4762

Hexagon socket head cap screws
fully threaded
fully threaded

DIN 912
ISO 4762



Material	Steel	Tensile strength	1200 N/mm²
Surface	black	Proof stress 0,2%	1080 N/mm²
Quality	12.9	Elongation after fracture	min. 8%

Article No. - 1006614

d ₁	M3
L	8
d ₂	5,5
k	3
s	2,5
t min.	1,3

DIN 912: Standard withdrawn

M 1.4; M18; M22; M27; M33 not included in ISO 4762.
M 2.6 not included in DIN 912 and ISO 4762.