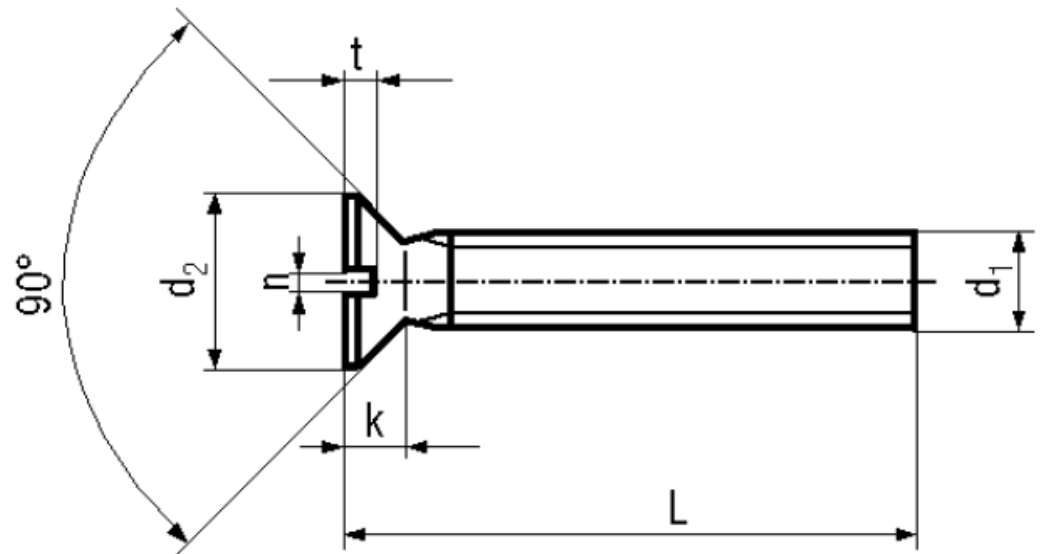


BN 363

Slotted flat countersunk head screws

DIN 963 A
~ISO 2009
~UNI 6109



Material	Steel	Tensile strength	800 N/mm2
Surface	zinc plated blue	Proof stress 0,2%	640 N/mm2
Quality	8.8	Elongation after fracture	min. 12%

Article No. - 1143867	
d ₁	M3
L	8
d ₂ max.	5,6
k max.	1,65
n	0,8
t min.	0,6
Proof load (N)	2920

DIN 963 A: Standard withdrawn
All lengths fully threaded.