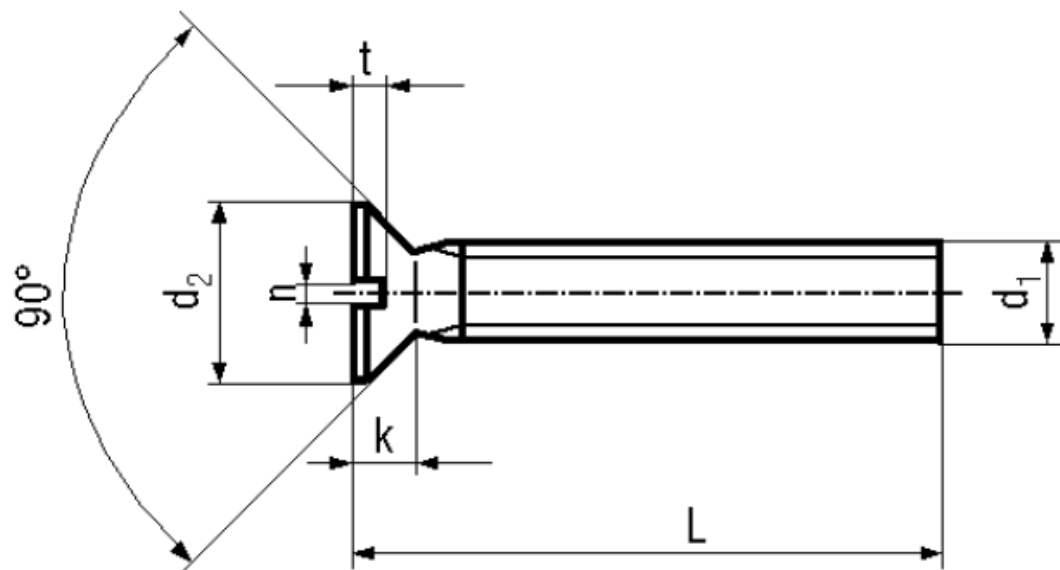


## BN 363

Slotted flat countersunk head screws

DIN 963 A  
~ISO 2009  
~UNI 6109



Material	<b>Steel</b>	Tensile strength	<b>800 N/mm<sup>2</sup></b>
Surface	<b>zinc plated blue</b>	Proof stress 0,2%	<b>640 N/mm<sup>2</sup></b>
Quality	<b>8.8</b>	Elongation after fracture	<b>min. 12%</b>

### Article No. - 1143859

d <sub>1</sub>	M3
L	6
d <sub>2</sub> max.	5,6
k max.	1,65
n	0,8
t min.	0,6
Proof load (N)	2920

DIN 963 A: Standard withdrawn  
All lengths fully threaded.