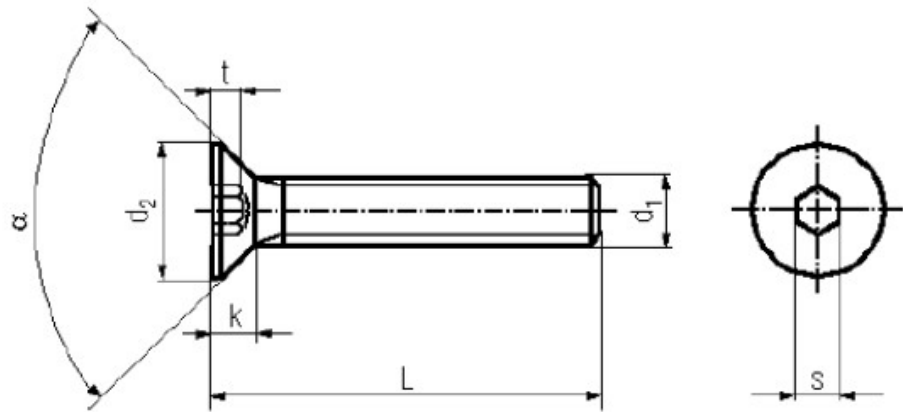


## BN 20

Hexagon socket flat countersunk  
head screws  
fully threaded  
fully threaded

DIN 7991  
~ISO 10642



Material	Steel	Quality	010.9 / 10.9
Surface	black		

### Article No. - 1021206

d <sub>1</sub>	M3
L	(14)
d <sub>2</sub> max.	6
k max.	1,7
s	2
t	1,2
v	90

DIN 7991: Standard withdrawn

M2; M2,5 not according to DIN 7991.

As a result of the electro-plating process, fasteners in property classes  $\geq 10.9$  (>HRC 31) are susceptible to hydrogen embrittlement.

Limited use:

These screws should not be used for transmitting high axial forces. The hexagon socket is intended only for holding the screw to prevent rotation during tightening of the nut. If they are nevertheless tightened by means of the hexagon socket, the torques must be reduced because the key size is smaller and the depth of the hexagon socket is smaller. Property class 10.9. serves only for reducing the wear of the hexagon socket.