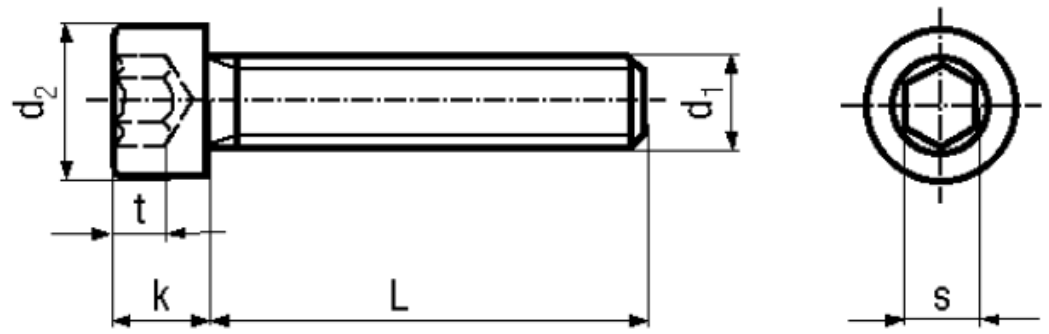


BN 612

Hexagon socket head cap screws
fully threaded
fully threaded

DIN 912
ISO 4762
~UNI 5931



Material **Stainless steel** Quality **A4**

Article No. - 1233807

d ₁	M3
L	10
d ₂	5,5
k	3
s	2,5
t min.	1,3

DIN 912: Standard withdrawn

M1,4: Not included in ISO 4672.

Socket head cap screws low head type acc. DIN 7984 / DIN 6912: BN 2844 / BN 1350.