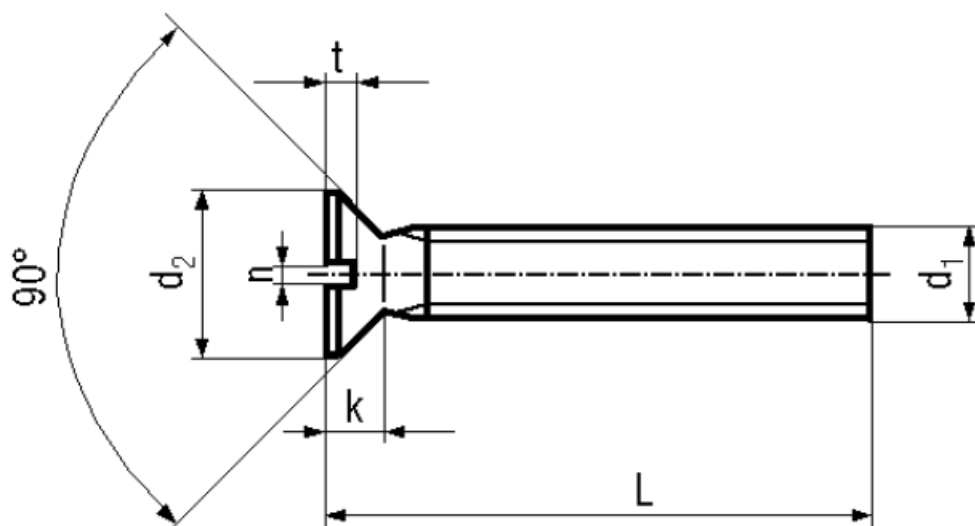


BN 363

Slotted flat countersunk head screws

DIN 963 A
 ~ISO 2009
 ~UNI 6109



Material	Steel	Tensile strength	800 N/mm²
Surface	zinc plated blue	Proof stress 0,2%	640 N/mm²
Quality	8.8	Elongation after fracture	min. 12%

Article No. - 1143875

d ₁	M3
L	10
d ₂ max.	5,6
k max.	1,65
n	0,8
t min.	0,6
Proof load (N)	2920

DIN 963 A: Standard withdrawn
 All lengths fully threaded.