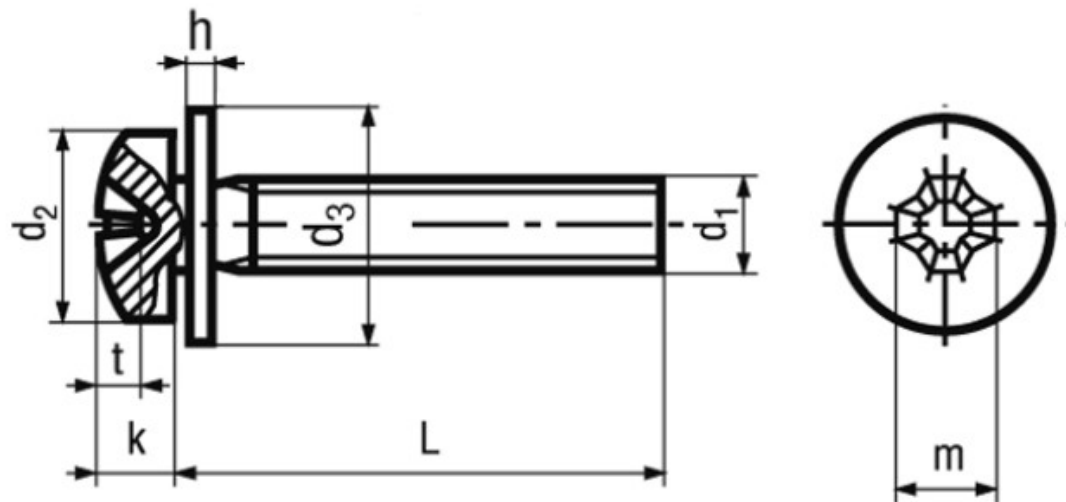


## BN 1719 - DIN 7985 Z1

Cross recessed pan head assembled  
screws  
Phillips H, with captive flat washer  
DIN 6902 A

DIN 7985 Z1



Material	Steel	Tensile strength	400 N/mm <sup>2</sup>
Surface	zinc plated blue	Elongation after fracture	min. 14%
Quality	4.8		

### Article No. - 1370162

d <sub>1</sub>	M3
L	10
d <sub>2</sub> max.	6
k max.	2,52
Phillips	1
t min.	1,7
t max.	2
m~	3,1
d <sub>3</sub>	
h	0,6