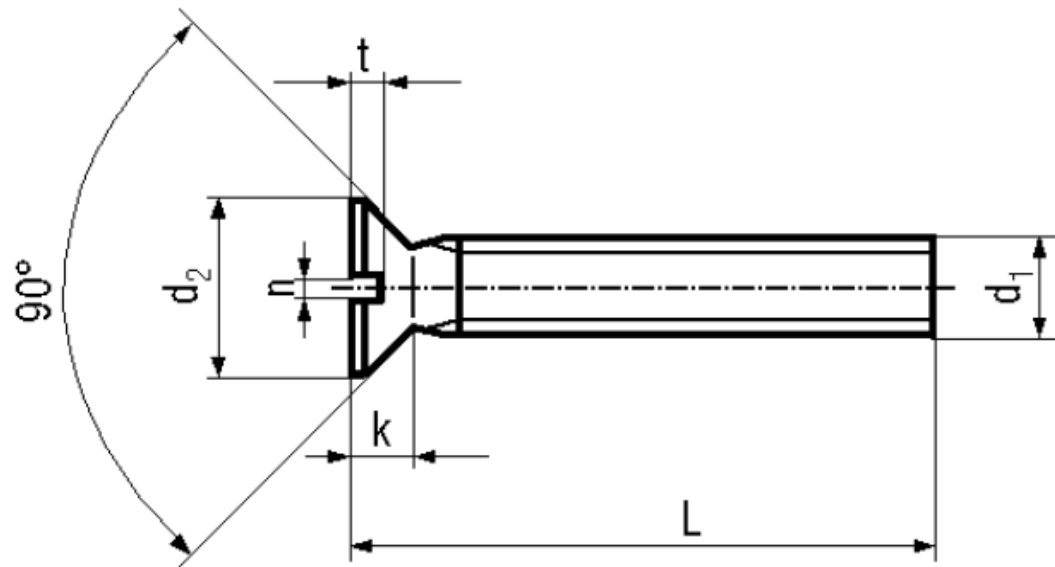


BN 538

Slotted flat countersunk head screws

DIN 963 A
 -ISO 2009
 -UNI 6109



Material Surface

Article No. - 1206273	
d ₁	M2
L	8
d ₂	3,8
k max.	1,2
n	0,5
t min.	0,4

DIN 963: Standard withdrawn