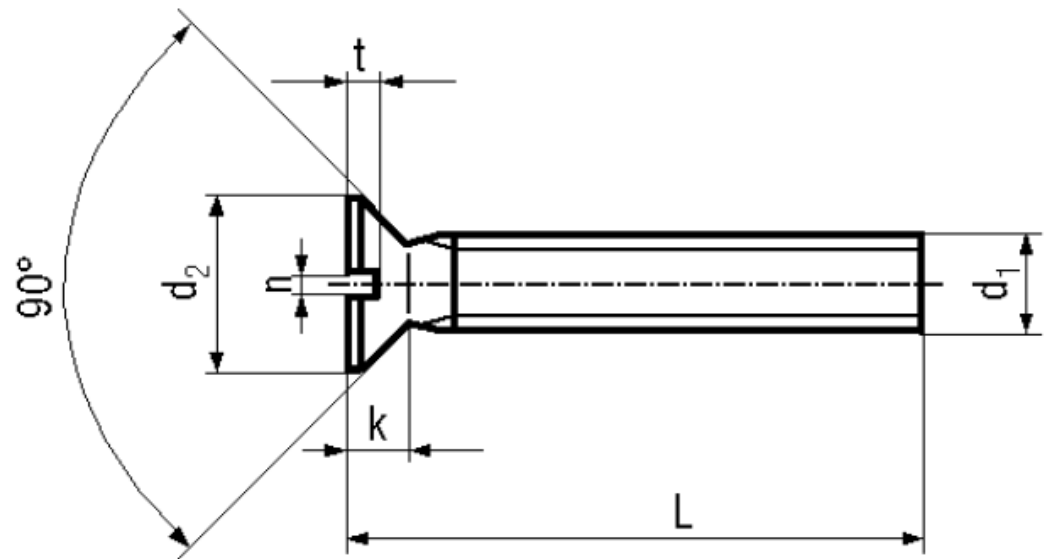


BN 357

Slotted flat countersunk head screws

DIN 963 A
 ~ISO 2009
 ~UNI 6109



Material	Steel	Tensile strength	400 N/mm ²
Surface	zinc plated blue	Elongation after fracture	min. 14%
Quality	4.8		

Article No. - 1139614	
d ₁	M2
L	8
d ₂ max.	3,8
k max.	1,2
n	0,5
t min.	0,4

DIN 963 A: Standard withdrawn
 All lengths fully threaded.