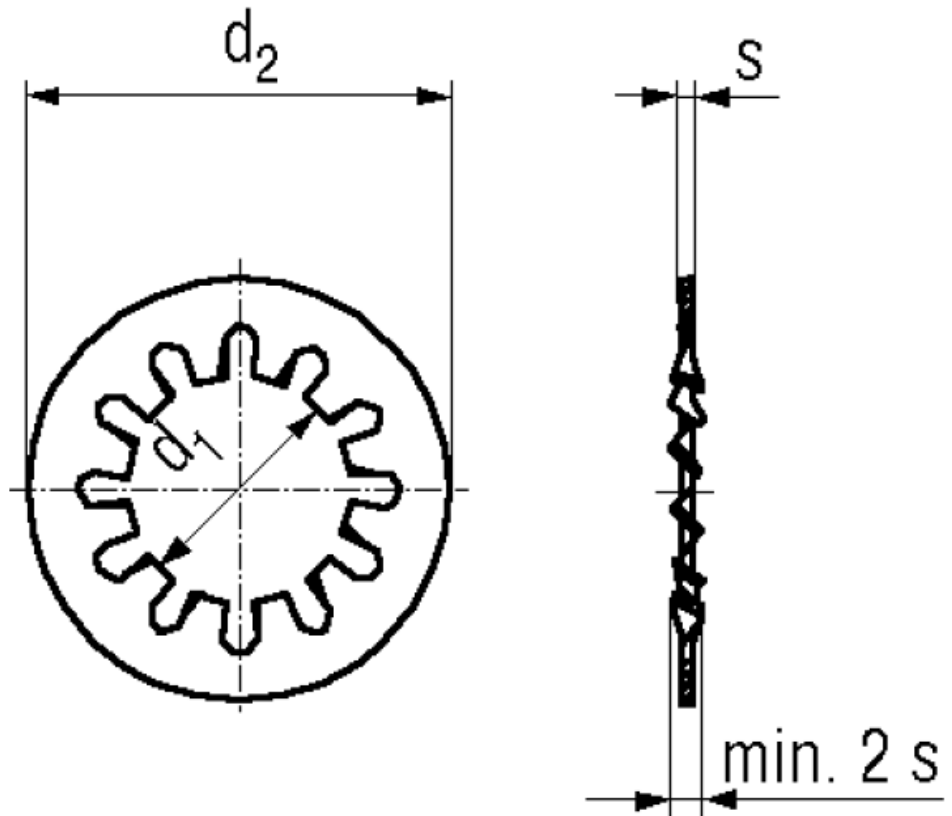


BN 790 - DIN 6797 J

Toothed lock washers
type J, internal toothed

DIN 6797 J
~UNI 8841 J



Material

Spring steel

Surface

zinc plated blue

Article No. - 1279408

for thread	M2
d_1 min.	2,2
d_2 max.	4,5
s	0,3

Alternative:

Depending on the technical manufacturing possibilities, spring steel elements are equally available with an inorganic or mechanical zinc-plating (availability, prices and delivery periods on request). These procedures exclude the risk of varied breakage due to hydrogen brittleness, this being liable to appear in acid baths or during electroplating (zinc-plating).