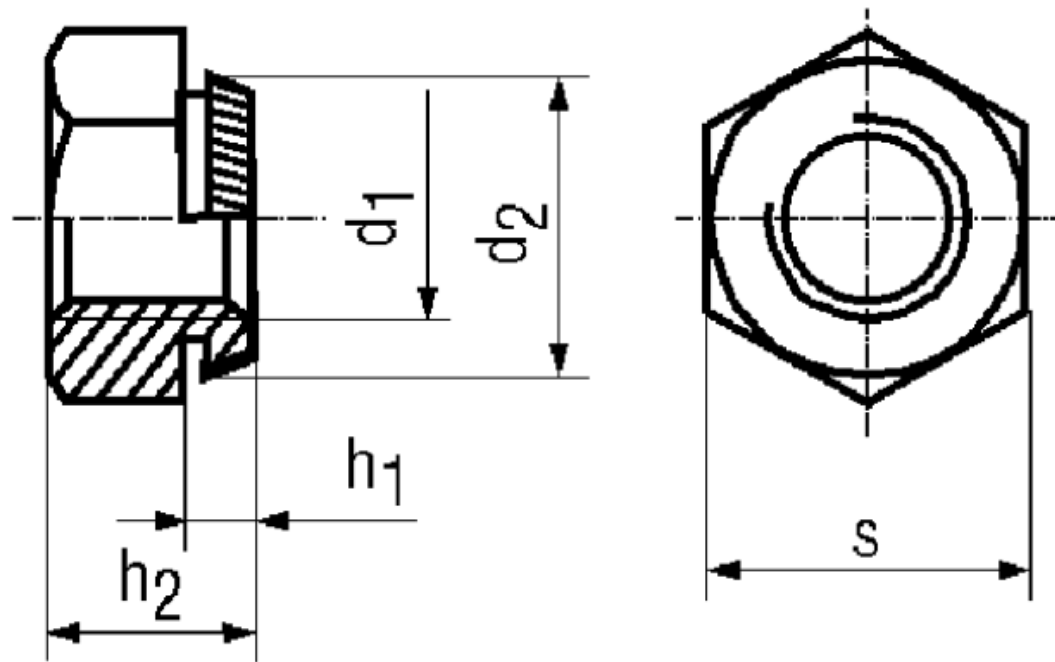


BN 201

Hexagon self clinching nuts
case hardened



Material	Steel	Hardness	550 HV
Surface	zinc plated blue		

Article No. - 1098438

d_1	M2
h_1	0,9
Hole size	4,5
d_2	4,7
Sheet thicknes min.	1
h_2	3
s	5,5
Distance to edge	4,8

Note: Collar height (dimension h_1) available for thicker plates on request.