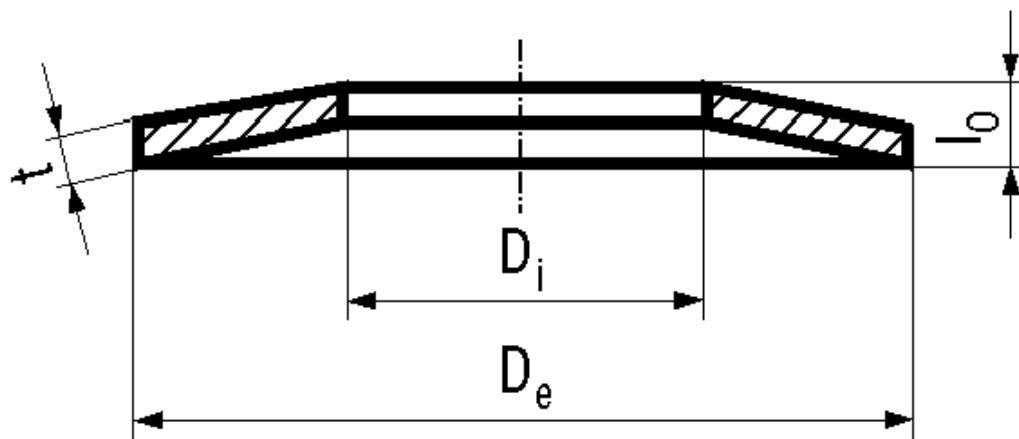


## BN 806

Disc springs  
works standard



Material	Spring steel	Hardness	42-52 HRC
Surface	phosphated and lubricated		

Article No. - 1283014	
De	28
Di	14,2
t (t')	1,25
lo	2,1
0,5 h <sub>0</sub>	1634 N
0,75 h <sub>0</sub>	2240 N
0,9 h <sub>0</sub>	2570 N

$$h_0 = l_0 - t$$

Disc springs thickness more than 6mm, with bearing surface and reduced thickness (t').