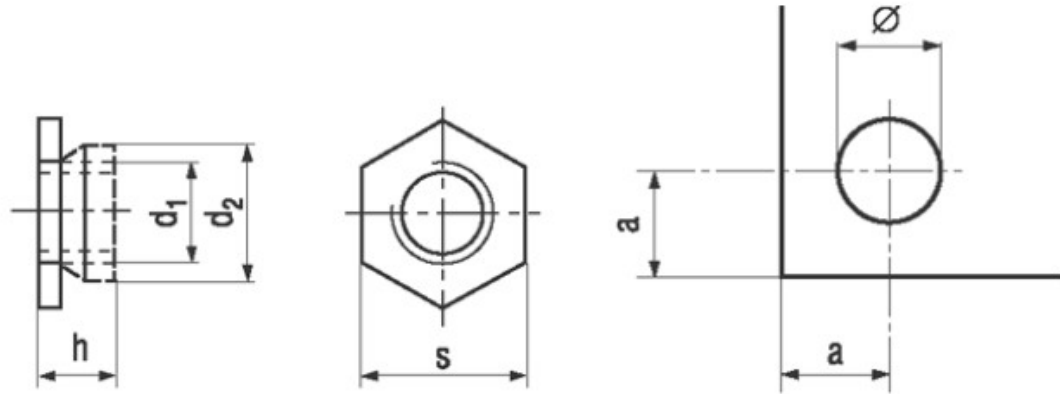


BN 642

Self clinching insert nuts



Material	Steel	Quality	A1
----------	-------	---------	----

Article No. - 1242660

d_1	M2,5
Sheet thickness	1,5-2,3
d_2 max.	4,34
h max.	1,5
s	4,8
Hole size	4,35
Distance to edge	

For sheet metal with max. hardness HRB 70.